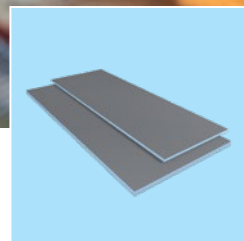
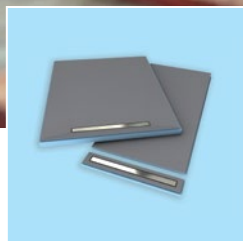


wedi Builders Choice Shower Systems

The Only Waterproof Bathroom System



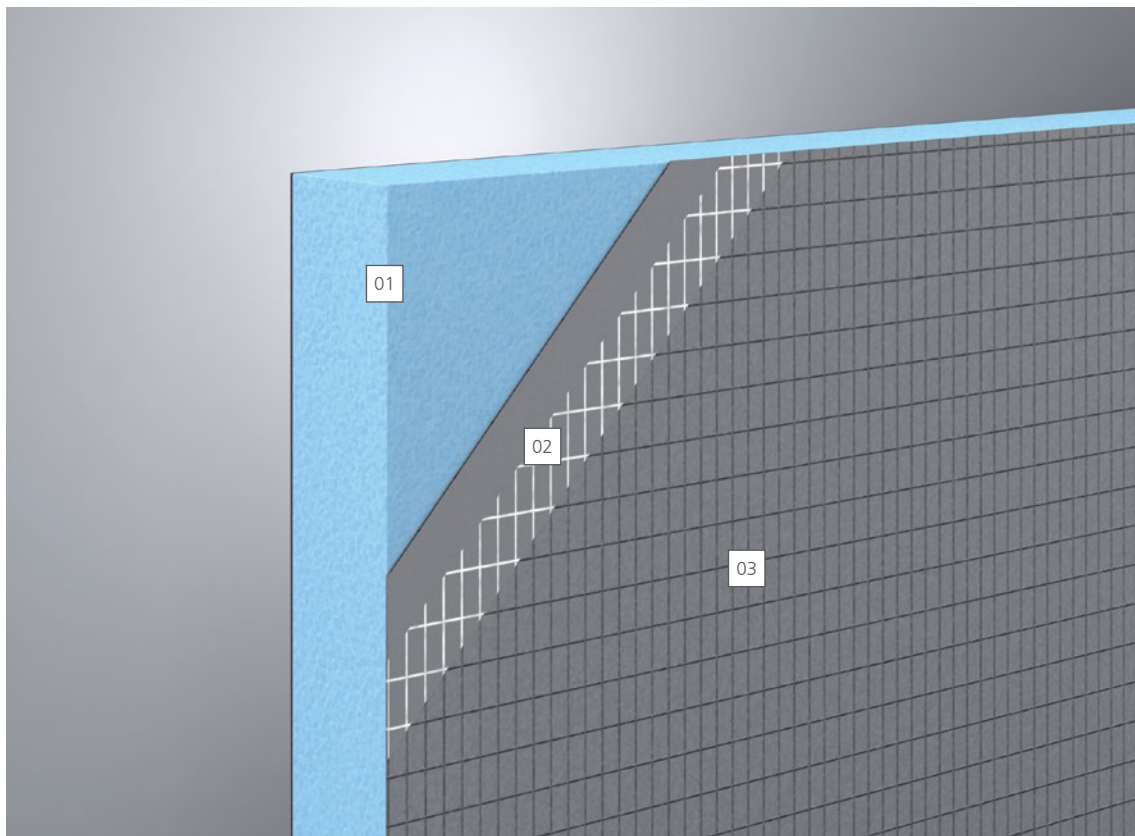
What is wedi?

- wedi is a tested, certified and proven, 100 % waterproof ready to tile shower system produced by a single source manufacturer in Germany with over 35 years of industry experience.
- The wedi Shower System is the perfect substrate for tile or stone, offering a pre-sloped yet flat surface and also a superior bond surface for any tile and stone adhesive.
- wedi eliminates the need for liquid applied membranes, ensuring a risk free installation with no possibility of failure due to pin holes, tearing, or incorrect application.
- The wedi blue XPS closed cell foam core is 100 % waterproof, mould and mildew proof and remains fully functional even after partial damage.
- wedi building boards can be used as an underlayment and are rated for heavy duty commercial use once tiled.
- The wedi Shower System replaces screed and liquid membrane, which often fail due to expansion and contraction.
- Total Installation time is a few hours ready for tile versus 4 days of installation and drying times.
- The wedi Shower System is lightweight, quick, easy to cut and clean to install. The modular, versatile, and easy to modify design allows you to go from framework to ready to tile in just a few hours – the fastest installation process in the industry.
- The wedi Shower System comes with one of the industry's most comprehensive warranties, offering 10 years coverage.



What is wedi made of?

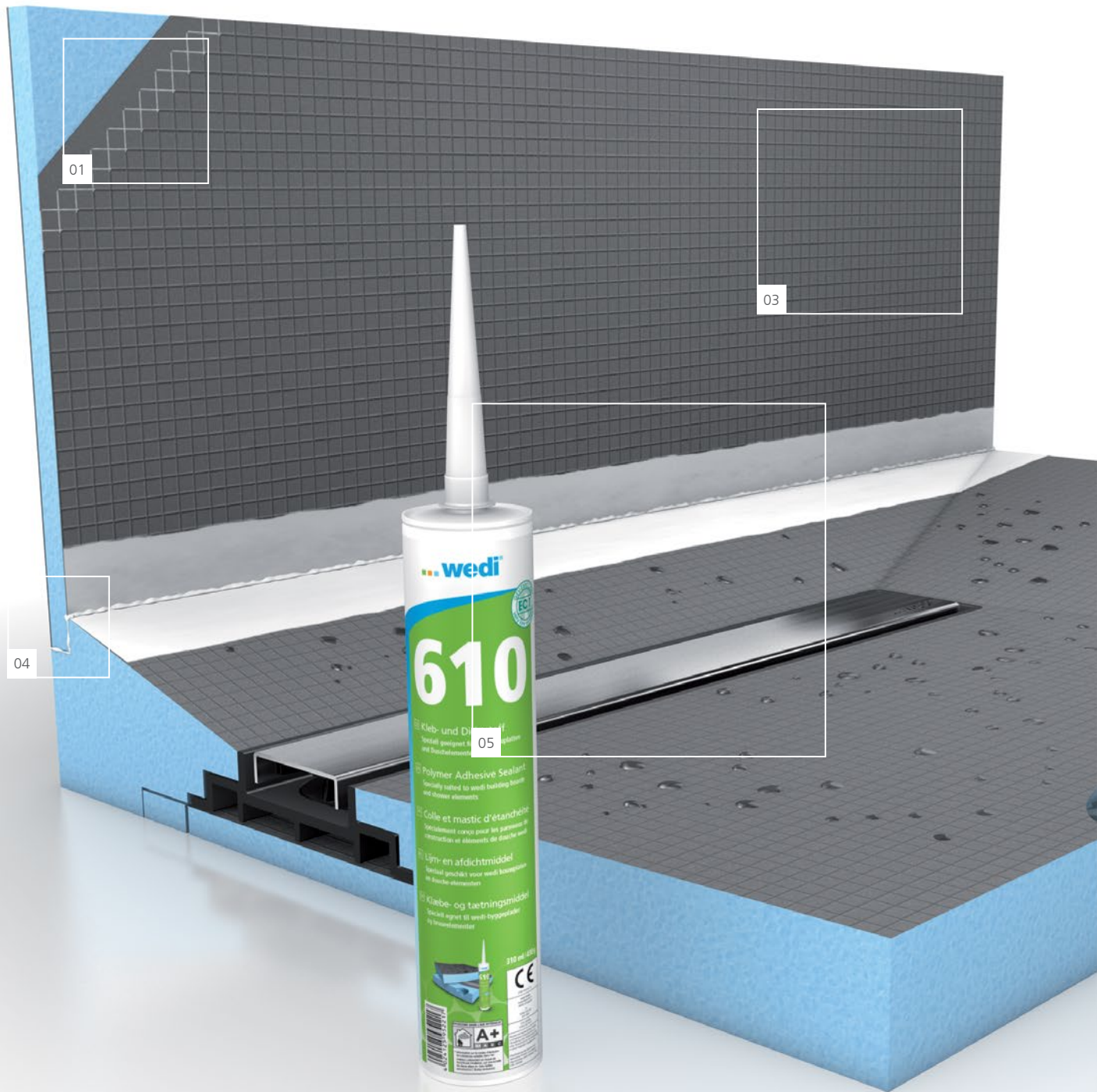
- All wedi foam products are made of the same high quality XPS foam core for consistency throughout the entire product line, which is 100 % waterproof, mold and mildew-proof, and HBCD (Hexabromocyclododecane) free.
 - The grey cement resin coating provides a durable, flat surface for any tile and stone adhesive.
- No delamination, no deterioration, no surprises.
- The fiberglass mesh reinforcement is embedded into the cementitious coating and provides strength and rigidity to support a lasting tile bond and backing.



01 XPS waterproof foam core

02 Fiberglass mesh reinforcement

03 Cement resin coating



01

03

04

05



wedi – Only real with a blue core

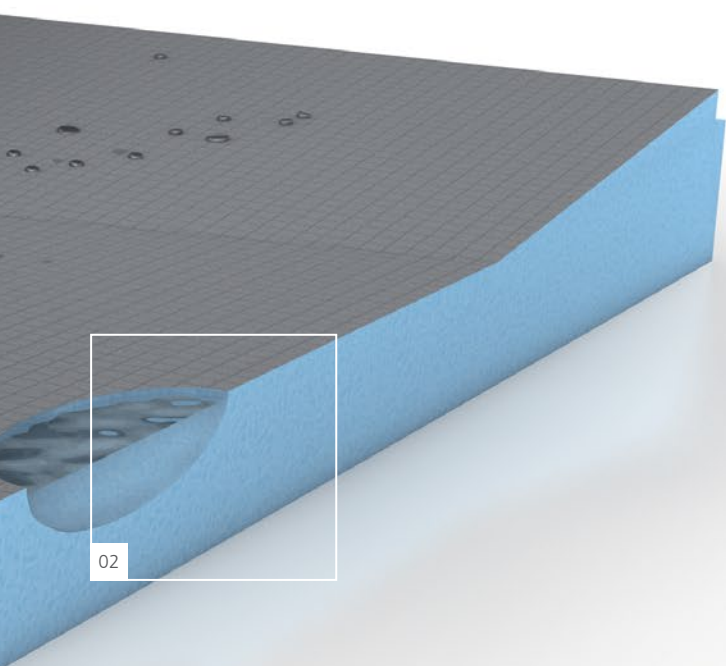
01 wedi Building Boards' reinforced cement resin surface offers a superior bond surface to virtually any tile and stone or tile adhesive. No delamination, no surprises.

02 The blue XPS core is 100% waterproof and remains fully functional even after possible partial damage. Our XPS brand foam is specially engineered for 100 % consistency of it's closed cell structure.

03 wedi product surfaces include specially designed and manufactured fiberglass mesh, fully embedded in the coating. It won't break and it offers the wedi typical gritty structure for perfect tile adhesion.

04 wedi Building Boards can be safely adhered and sealed in assemblies using wedi 610 adhesive sealant: strong reinforcement and internal strength, high adhesion and waterproofing qualities with virtually no build up as with conventional taping. As no other seal is necessary, craftsmen benefit from increased protection accompanied by a shorter surface preparation time before tiling starts.

05 wedi Building products are CFC, HCFC, HFC free and instead CO2 is used as extrusion agent. This reduces wedi's Global Warming Impact (GWP) to 1. This compares to GWPs in the thousands, as is common with several HFC generation agents still used today particularly in products made in China. Another crucial benefit of wedi's brand foam is the safe fire behavior but without the use of bioaccumulative un-bonded flame retardants such as HBCD which are still widely used. Instead, bonded polymeric flame retardants (PFR) are used and meet international standards such as REACH and the UN's Stockholm Convention Protocols. wedi 610 adhesive sealant is Polyisocyanate and PVC free, and is a zero VOC sealant.



What does wedi INSIDE offer?

The principle of wedi inside is simple: high-quality tile installations require a substrate that is 100 % secure. That's why craftsmen have put their faith in wedi quality for decades, especially as a substrate underneath tiles. 100 % waterproof and 100 % secure and safe – signed, sealed and guaranteed by wedi.



What is the wedi Bathroom System?

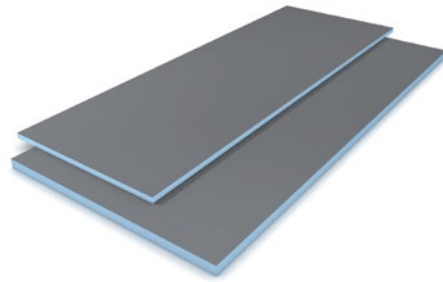
Part 1: Shower Bases

wedi Waterproof Shower Systems offer reliable, cost-efficient solutions for constructing 100% waterproof showers which are mould-proof, pre-sloped and ready to tile.



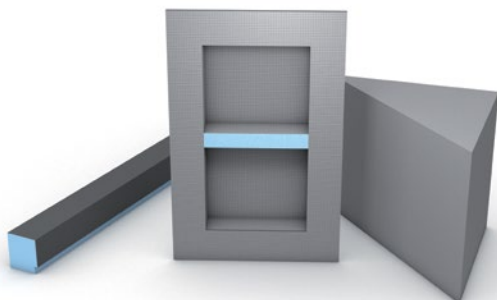
Part 2: Building Panels

wedi Building Panels are the ultimate versatile wet room tile backer board, and often used within the range of wedi shower systems as well as on walls, floors, countertops, and many more applications.



Part 3: Prefabricated Modules

wedi Prefabricated Modules open up a whole new world of design possibilities for showers, wet areas, and baths. Options include: niches, seats, benches and hob designs.



Part 4: Installation Accessories

wedi Installation Accessories & Tools offer additional products needed for the installation, and guarantee maximum safety, and easy handling.

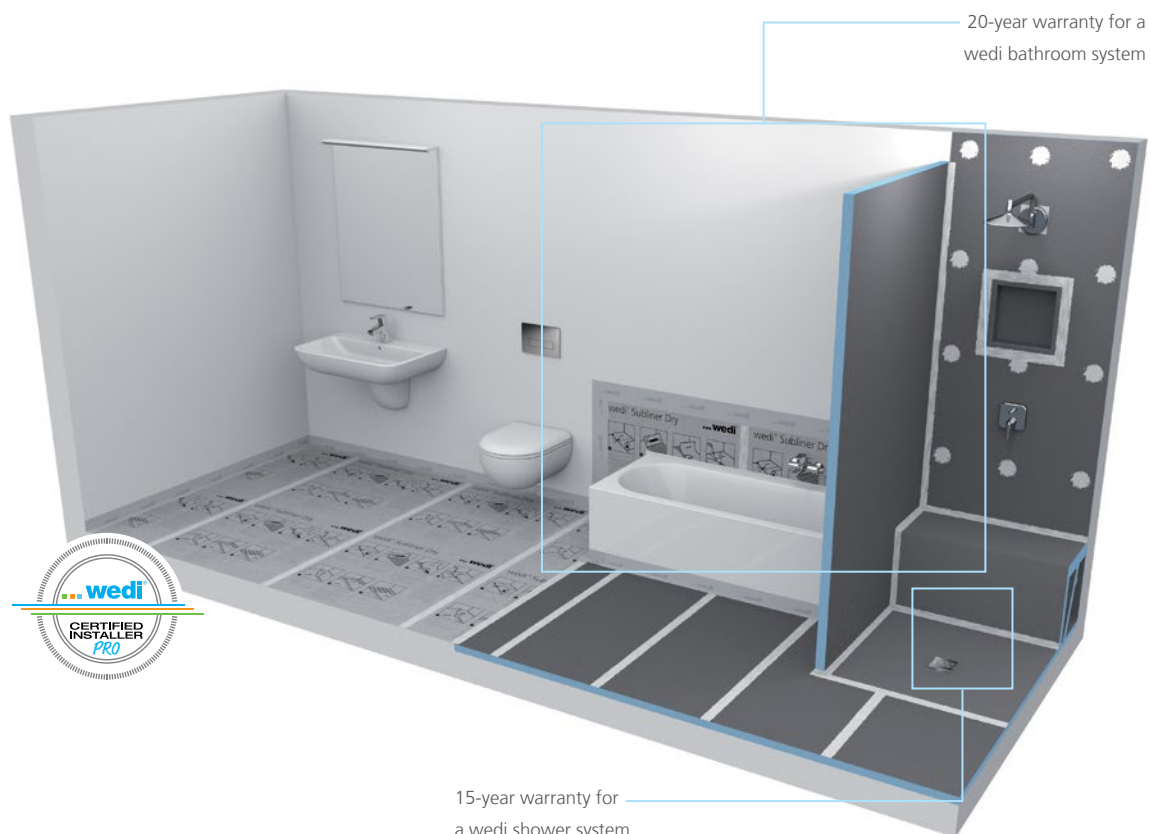


wedi Warranty

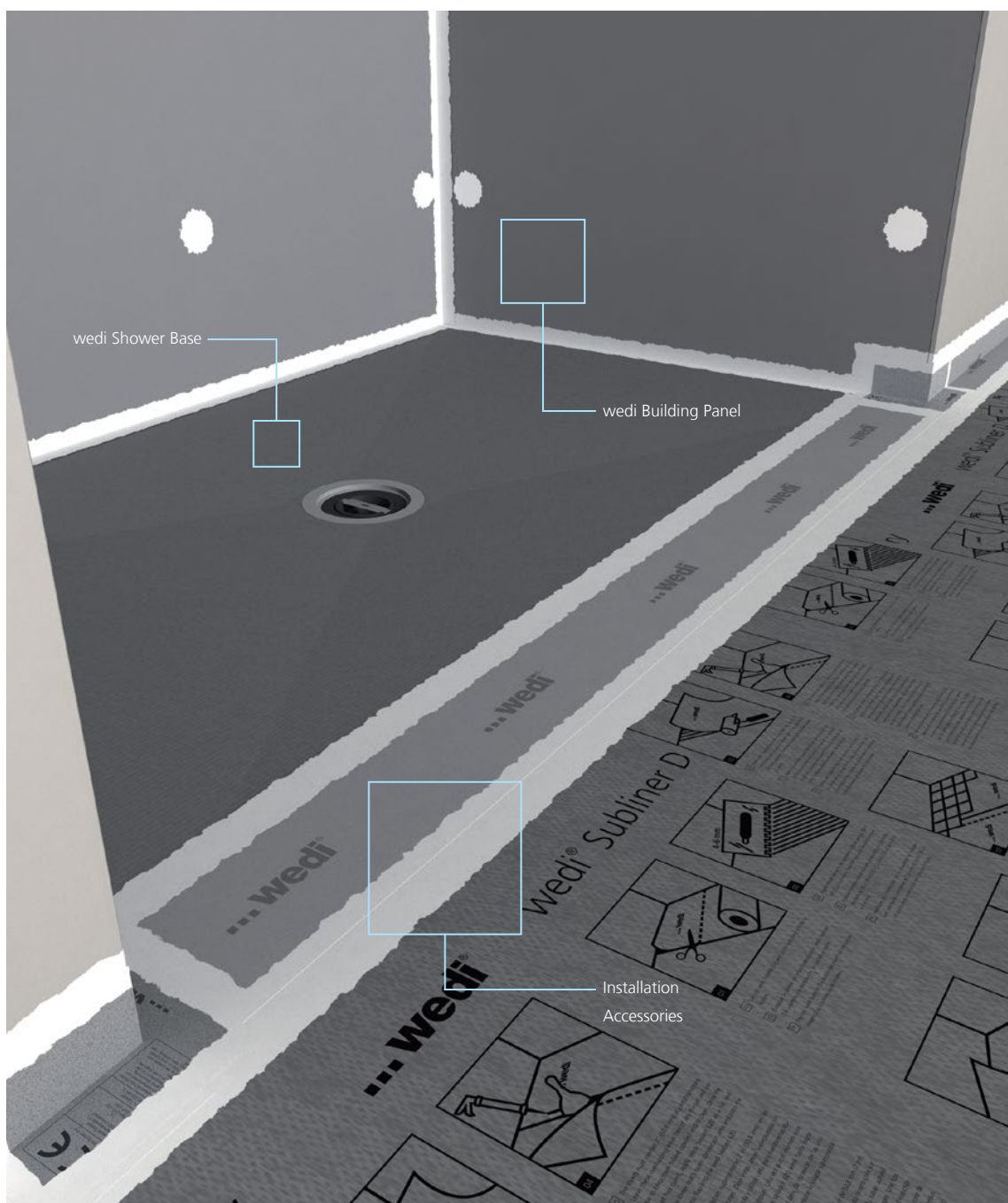
wedi provides a unique, strong and very comprehensive 10-Year General Warranty that addresses true risks and damages that may originate from a defective product. In addition to our standard 10-Year General Warranty, wedi offers an extended 15 or 20-Year Warranty available to cover projects registered by wedi PRO certified installers.

Find details on wedi's warranty programs by simply asking your local sales representative.

- wedi's performance shower systems, unprecedented warranty coverage and service combine for wedi installers
- Sign up for wedi PRO certification classes and enjoy wedi's 15 or 20-year full package warranty options

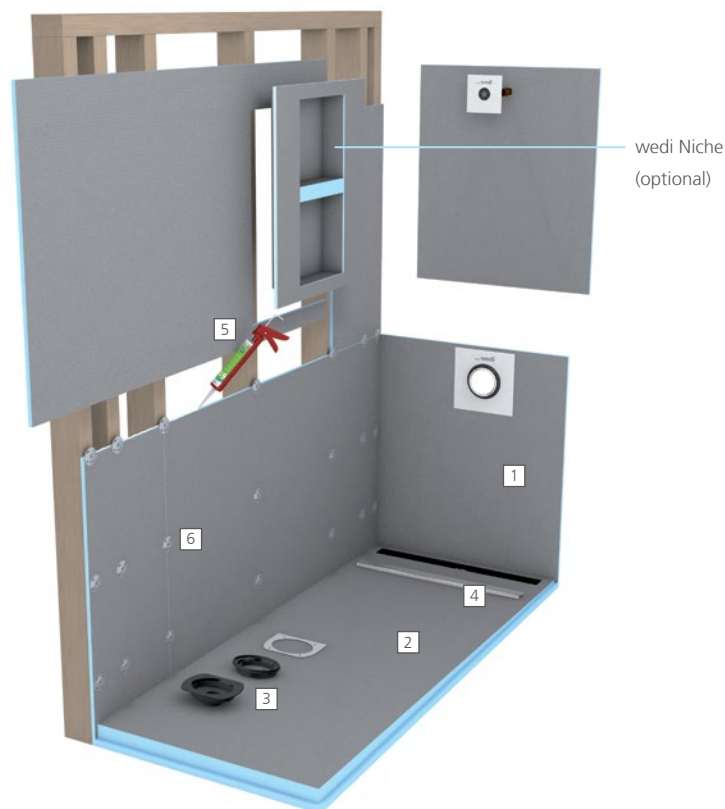


How does the system work?



How do you build the shower system?

wedi's pre-sloped shower base Riolito Neo features the ONLY fully sealed and factory integrated waterproof linear drain assembly available for customizable shower floor systems today. The integrated drain ensures your installation is not exposed to the risk commonly associated with bonding flange/taping installation-type single drain products. wedi Shower Bases are also available in square point drain models.



wedi products

- 1 wedi Building Board
- 2 wedi Fundo Riolito Neo Shower Base
- 3 wedi Fundo Riolito Neo Drain Kit
- 4 wedi Fundo Riolito Neo Cover Plate
- 5 wedi 610 adhesive sealant
- 6 wedi Fastener Kit

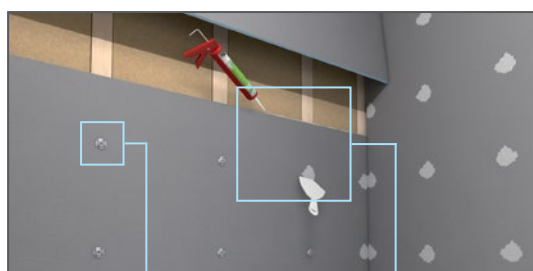
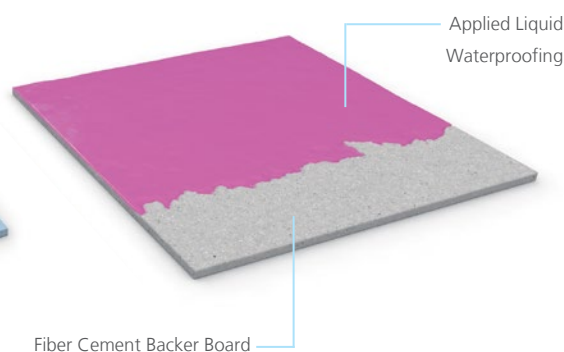
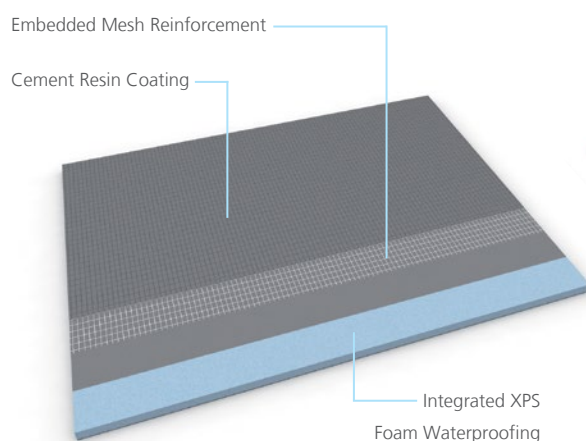
How does the product compare?

wedi Building Boards

- Ready to tile out of the box, so it can be assembled on-site with ease.
- Lightweight and easy to cut.
- Does not release toxic silica dust when cutting.
- wedi products have internal engineered waterproofing.
- Seams are adhered and sealed with only the use of wedi Joint Sealant.
- CodeMark certified.

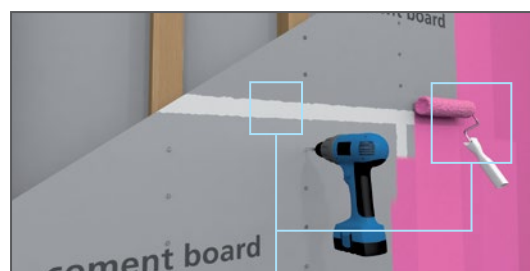
Fiber Cement Board

- Requires additional waterproofing and seam reinforcement before it is ready to tile.
- Is heavy and difficult to cut.
- Provides a food source for both mould and mildew and contains silica dust.
- Requires additional waterproofing membranes.
- All seams require a messy and labour intensive process of a base coat and tape.
- Requires over 24 hours of drying time before tile installation is possible.



wedi requires 30% fewer fasteners in an installation

No mesh tape or banding makes for a simple and fast installation



The need for a base coat, tape, and applied waterproofing is time consuming and messy

How does the assembly compare?

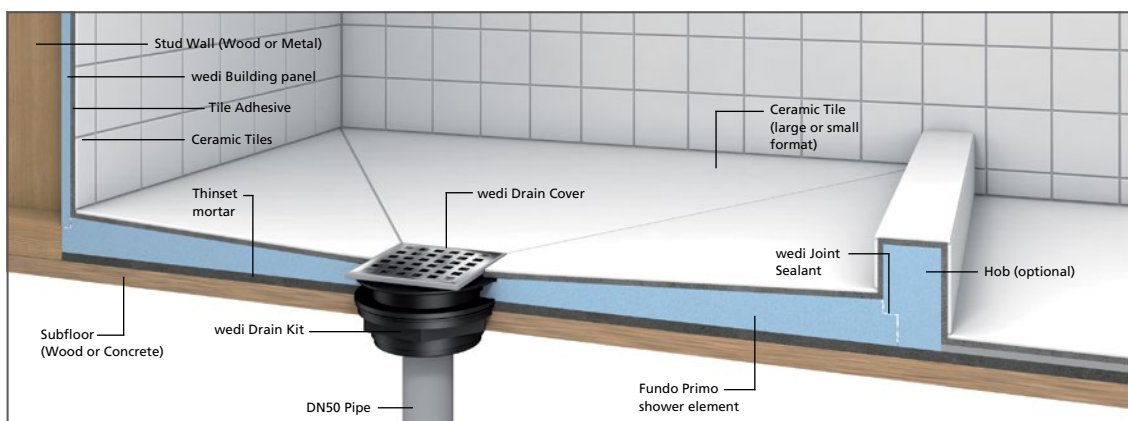
wedi Shower Systems

- All components are produced by a single manufacturer.
- All shower bases are pre-sloped and CNC machined.
- Waterproofing is already integrated in.
- wedi offers one comprehensive warranty.
- Includes a single and consistent installation process.
- Ready to tile in 2 – 3 hours.

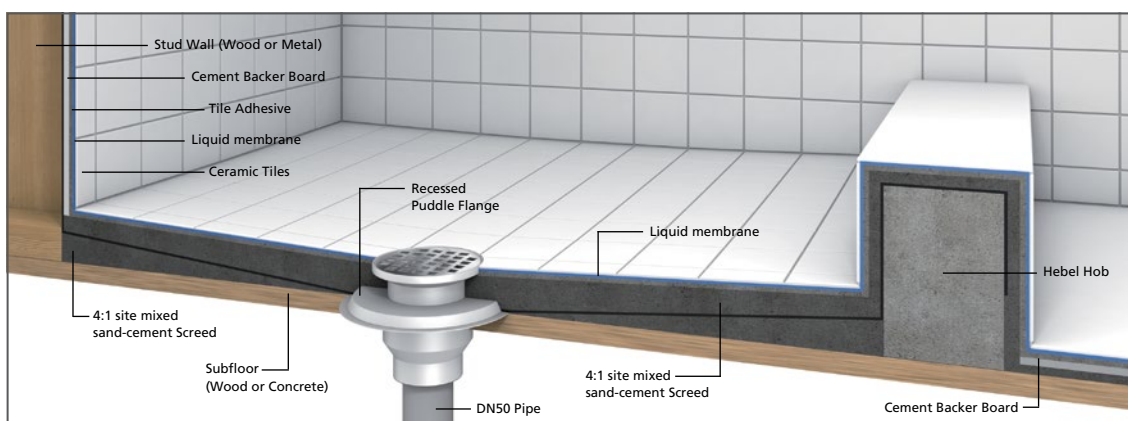
Conventional Methods

- Incorporates up to five different manufacturers.
- Slope must be created by hand.
- Applied waterproofing is an added step.
- Multiple manufacturers, Multiple Drying Times and multiple labour warranties.
- Techniques can vary from one installer to another.
- Requires minimum of 4 days before it can be tiled.

wedi Shower Systems



Conventional Methods





4 DAYS

Sheeting + Screeding
+ Waterproofing

VS.

4 HOURS

wedi Waterproof
Shower System

Use wedi – Save time and gain peace of mind on your next bathroom install



Reduce the installation time from 4 hours ready to tile vs 4 days of installation and drying time



100 % waterproof and mould proof shower system from a single manufacturer



10 years full replacement warranty – backed by wedi



Australian based technical support and training available



Australian CodeMark certification



German engineered product proven for 35 plus years

Comparison sheet for the products needed to build a waterproofed bathroom

Example: Bathroom size: 2700 × 1800 × 2400 mm (L × W × H) – Shower Size: 1000 × 1000 × 2400 (L × W × H)

Shower installation

	wedi products	Conventional Products and Installation
Wall solution	wedi Building Board 2500 × 1200 × 10 mm	Villaboard/m ²
		Villaboard Installation/m ²
Shower system	wedi Fundo Primo Shower Base 1000 × 1000 mm	Installation of sloped screed mortar bed
	wedi Fundo Primo and Ligno Drain Kit	Drain installation and grate
	wedi Fundo Stainless Steel Cover/Frame	
System accessories	wedi 610 adhesive sealant Sausage 600 ml	Waterproofing membrane/m ² (2 coats wall/floor)
	20Kg bag of tile adhesive	Waterproofer installation/m ² (2 coats wall/floor/curb)
	wedi Fastener Kit	Fasteners

Bathroom Floor Installation

	wedi products	Conventional Products and Installation
Floor solution	wedi Building Board 1500 × 900 × 6 mm	6 mm tile underlay/m ²
		Tile underlay installation/m ²
System accessories	wedi 610 adhesive sealant Sausage 600 ml	Waterproofing membrane/m ² (2 coats wall/floor)
	Sealing Tape for the wall/floor junction in bathroom	Waterproofer installation/m ² (2 coats wall/floor/curb)
	20Kg bag of tile adhesive	Fasteners
	wedi Fastener Kit	

wedi Fundo Shower System – Ready to tile within 4 hours the same day



Conventional Shower Installation – Ready to tile in 4 days*



* May vary and might be longer as those measures are a generic time frame. Please check with your manufacturer to receive the accurate information for your jobsite.

Overview wedi Fundo Shower Bases

The wedi system includes a large number of shower elements that can be used in all wet areas. On the following pages you get a short and compact overview of the various wedi Fundo Shower Bases with point and linear drainage as well as detailed technical information on dimensions and slope situation in the form of technical drawings. This will enable you to plan precisely and you are always on the safe side.

wedi Fundo Primo Shower Bases



1020 × 1020 × 40 mm
073736220

1220 × 1220 × 40 mm
073736222

1524 × 1524 × 40 mm
073735518



1220 × 1020 × 40 mm
073736221

914 × 1524 × 40 mm
073735506

914 × 1828 × 40 mm
073735525

1219 × 1524 × 40 mm
073735509

1219 × 1828 × 40 mm
073735508

1524 × 1828 × 40 mm
073735519



1820 × 920 × 40 mm
073736230

wedi Fundo Ligno Shower Bases



1020 × 1020 × 20 mm
073732060

1220 × 1220 × 20 mm
073732062

1524 × 1524 × 20 mm
073732018



1220 × 1020 × 20 mm
073732061

914 × 1524 × 20 mm
073732016

1219 × 1524 × 20 mm
073732017

wedi Fundo Riolito Neo Shower Bases



1220 × 1020 × 50 mm
075100100



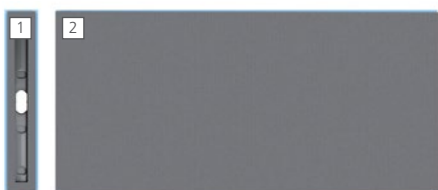
1219 × 1524 × 65 mm
075100012



1524 × 914 × 50 mm
075100016

1828 × 1219 × 60 mm
075100014

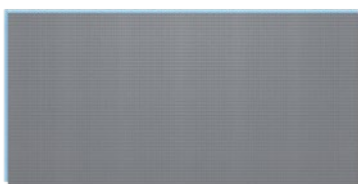
wedi Fundo Riolito Neo Modular



1 1220 × 146 mm
075100053

2 1220 × 1700 mm
075100051

wedi Extension Panels



1200 × 600 × 50/60 mm
073732050

608,6 × 1230,9 × 53/40 mm
073783528

317,5 × 1841,5 × 46,6/40 mm
073783523

1524 × 304,8 mm
073732030

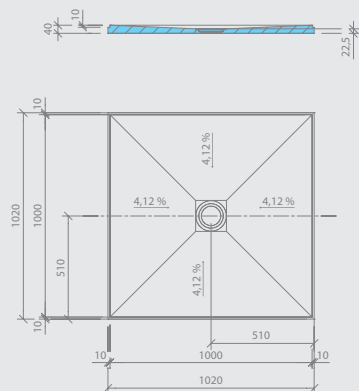
wedi Hobs



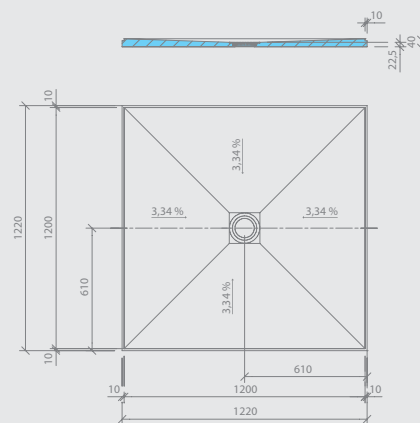
1200 × 50 × 60 mm
074311010

wedi Fundo Primo Shower Bases

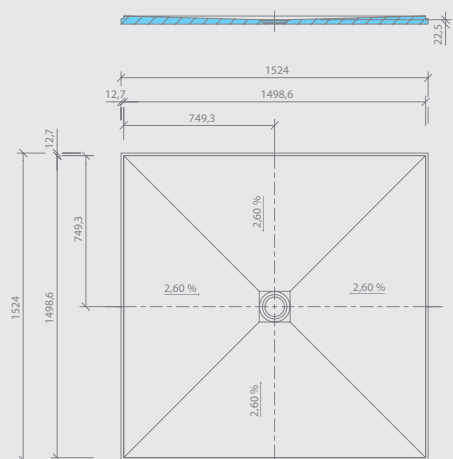
wedi Fundo Primo, Dimensions: 1020 x 1020 x 40 mm



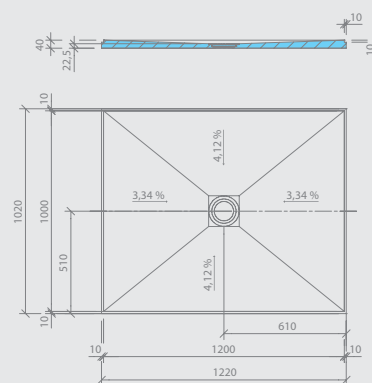
wedi Fundo Primo, Dimensions: 1220 x 1220 x 40 mm



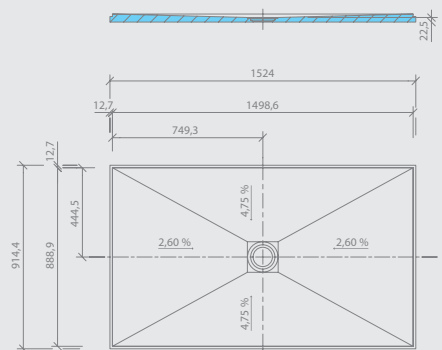
wedi Fundo Primo, Dimensions: 1524 x 1524 x 40 mm



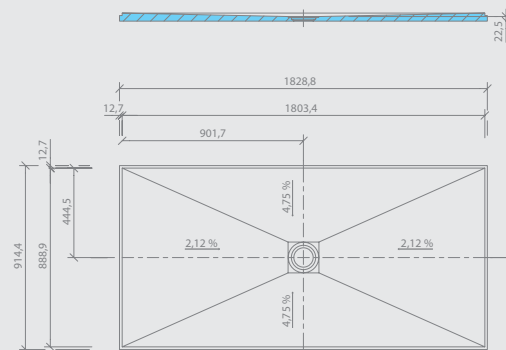
wedi Fundo Primo, Dimensions: 1220 x 1020 x 40 mm



wedi Fundo Primo, Dimensions: 914 x 1524 x 40 mm

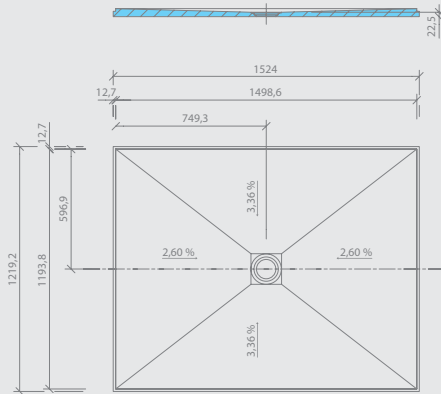


wedi Fundo Primo, Dimensions: 914 x 1828 x 40 mm

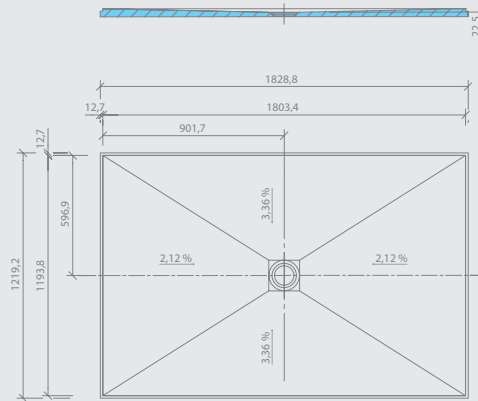


wedi Fundo Primo Shower Bases

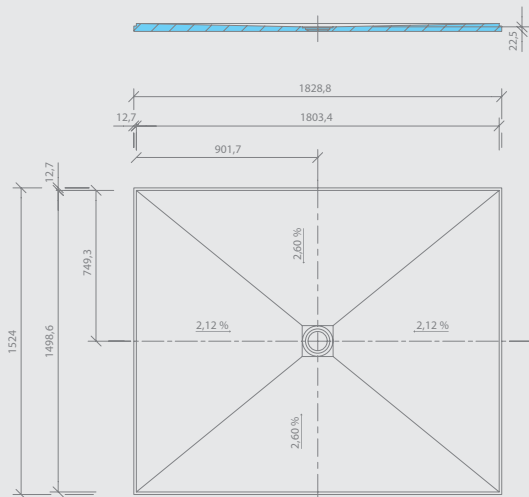
wedi Fundo Primo, Dimensions: 1219 × 1524 × 40 mm



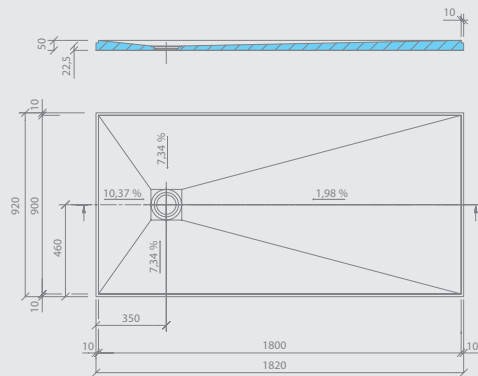
wedi Fundo Primo, Dimensions: 1219 × 1828 × 40 mm



wedi Fundo Primo, Dimensions: 1524 × 1828 × 40 mm

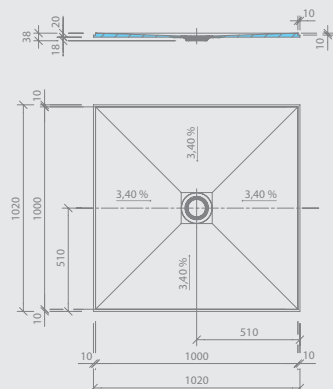


wedi Fundo Primo, Dimensions: 1820 × 920 × 40 mm

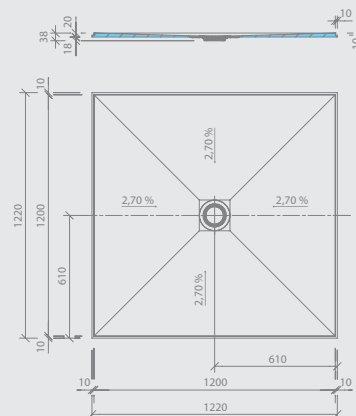


wedi Fundo Ligno Shower Bases

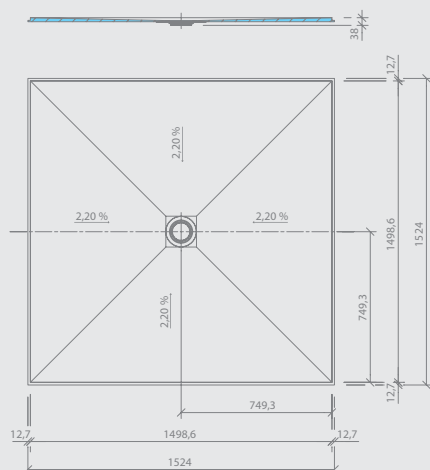
wedi Fundo Ligno, Dimensions: 1020 x 1020 x 20 mm



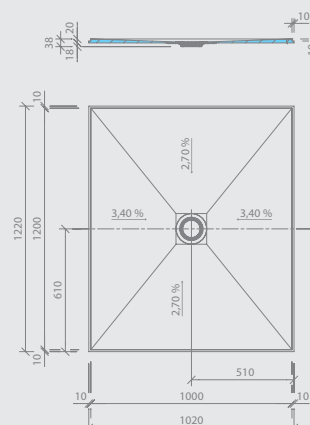
wedi Fundo Ligno, Dimensions: 1220 x 1220 x 20 mm



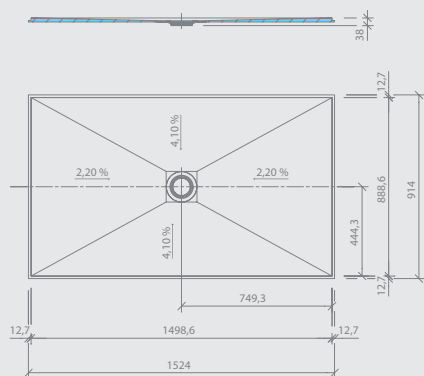
wedi Fundo Ligno, Dimensions: 1524 x 1524 x 20 mm



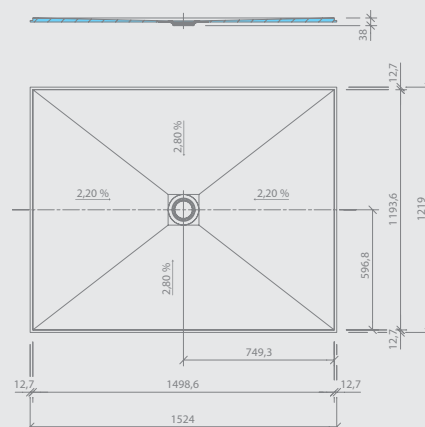
wedi Fundo Ligno, Dimensions: 1220 x 1020 x 20 mm



wedi Fundo Ligno, Dimensions: 914 x 1524 x 20 mm



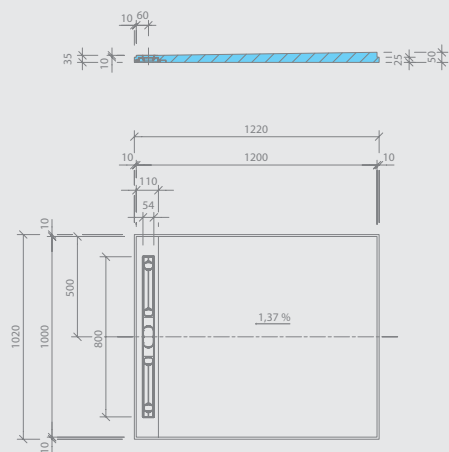
wedi Fundo Ligno, Dimensions: 1219 x 1524 x 20 mm



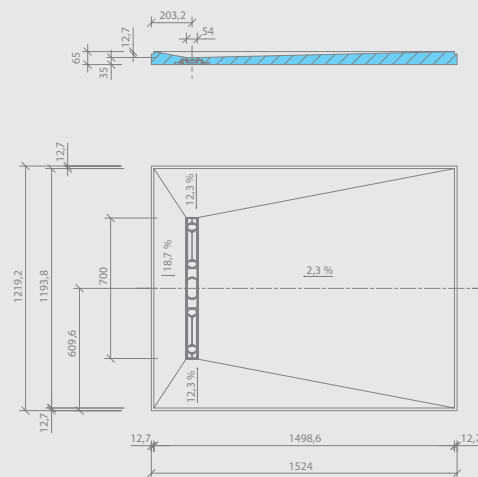


wedi Fundo Riolito Neo Shower Bases

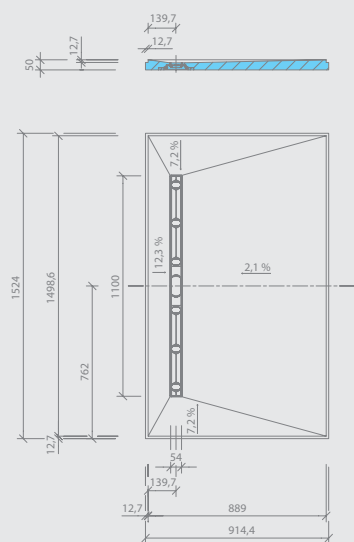
wedi Fundo Riolito Neo, Dimensions: 1220 × 1020 × 50 mm



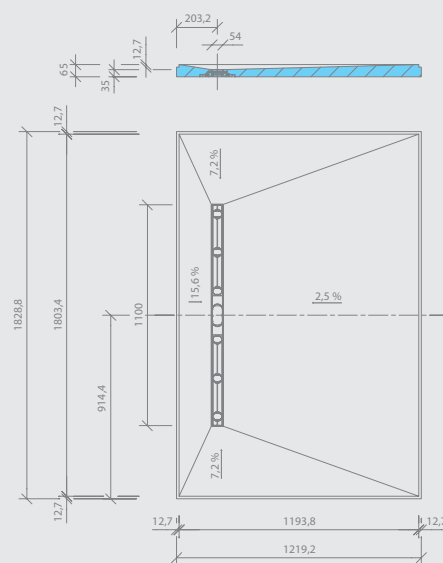
wedi Fundo Riolito Neo, Dimensions: 1219 × 1524 × 65 mm



wedi Fundo Riolito Neo, Dimensions: 1524 × 914 × 50 mm

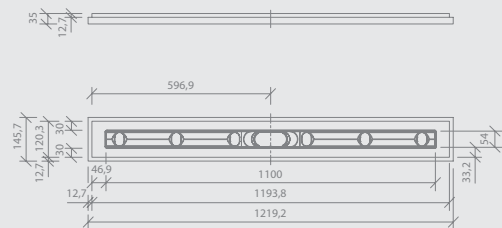


wedi Fundo Riolito Neo, Dimensions: 1828 × 1219 × 60 mm

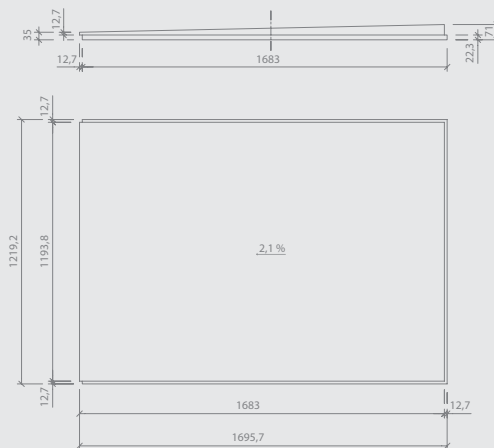


wedi Fundo Riolito Neo Modular

wedi Fundo Riolito Neo Modular,
Dimensions: 1220 x 146 mm

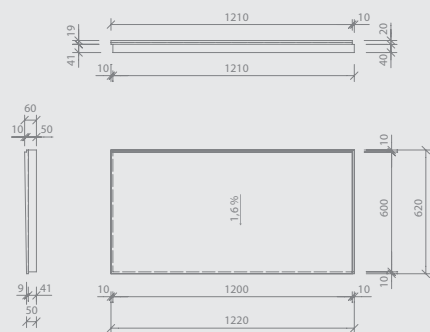


wedi Fundo Riolito Neo Modular,
Dimensions: 1220 x 1700 mm

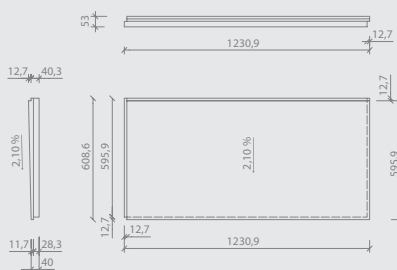


wedi Extension Panels

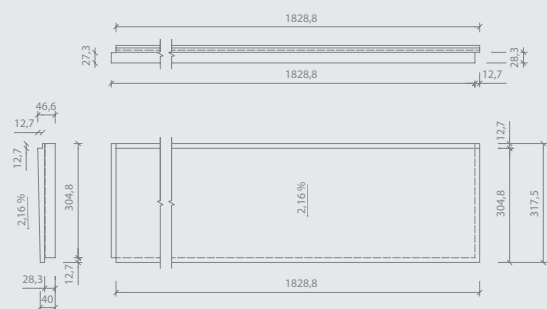
wedi Extension Panels,
Dimensions: 1200 x 600 x 50/60 mm



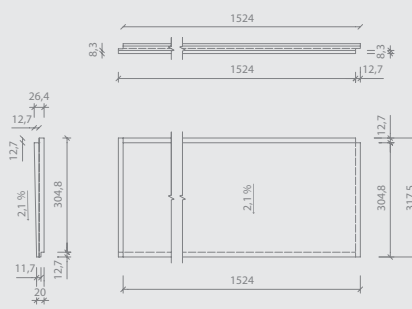
wedi Extension Panels,
Dimensions: 608,6 x 1230,9 x 53/40 mm



wedi Extension Panels,
Dimensions: 317,5 x 1841,5 x 46,6/40 mm



wedi Extension Panels,
Dimensions: 1524 x 304,8 mm



Where to find wedi products

- wedi products are available at distributors nationwide in all major Australian cities.
- Speak to your local representative to find your nearest distributor.





Where to find the wedi sales team in Australia and New Zealand

How to get started with wedi

- Talk to your specialist subcontractor about using wedi on your next build.
- Contact your local wedi representative about pricing, warranties, and certification programs.
- Schedule one-on-one job-site install assistance for your installer with your wedi representative.



Did you know?

Great quality installation results depend on not only having great products to use – the Know-How and Experience in how to use them is key too. We have trained a variety of installers around the country and now they fully know and appreciate what they can achieve with wedi.

This educational service is offered to all professional contractors of all trades and wedi's local Technical Sales Support Managers come out on site and install with you when you do your first wedi shower installation. Your peace of mind – at no charge. Just a call away!

wedi has been the first and only XPS foam shower system that achieved the CodeMark certification in Australia and New Zealand, which guarantees you a non-contestable compliance and mandatory approval.

The CodeMark provides mandatory acceptance by building control authorities, which other forms of evidence, such as product opinion and appraisals do not have. It shows a clear demonstration that the wedi products, as a full system, meets the mandatory compliance requirements of Australia and New Zealand.

wedi-quality and performance certified by:



Be sure to ask for:



wedi Australia & New Zealand

Phone: +61 437 678 459

info@wedi.com.au
www.wedi.net/au

Your local wedi distributor:

