

SHOWER BASES

BATHS

SHOWER SCREENS



2023  
RANGE





As the world resets, we crave innovation and demand functionality. Oceano Bathroom continues to deliver from their previous highly successful range - setting the standard and clearly out in front. Exciting, stylish, relaxing and self-indulgent are still at the forefront of our collection.

New design options exclusively to Oceano Bathroom keep your space fresh and on-trend.

**Oceano Bathroom products are:**

- Manufactured to Australian Standards
- Constructed with surfaces of sanitary grade gel coat or acrylic sheet for shower bases and baths
- Easy to install
- Highly functional and practical
- Easy to clean

Our innovation, industry knowledge makes Oceano Bathroom the go-to partner in the fast-paced building industry whether building a new home or renovating.

Welcome, we look forward to working with you.



oceano  
BATHROOM







# CONTENTS

COMPLETE 2023 RANGE

---

<b>Shower Bases</b>	■ ECO.....	06
	■ Urban MKII.....	10
	■ Metro.....	11
	■ Elite.....	12
	■ Access (Anti-Slip).....	14
	■ Vue.....	16
	■ Louve.....	16

---

<b>Baths</b>	■ Elite.....	18
	■ Metro.....	18
	■ Louve.....	20
	■ Civic.....	20
	■ Urban.....	22

---

<b>Shower Screens</b>	■ Louve Square Pivot.....	24
	■ Louve Square Slider.....	26
	■ Louve Neo Angle Pivot.....	28
	■ Louve Curved.....	30
	■ Urban Slider.....	32
	■ Urban Bath Panel.....	34
	■ Metro Bath Slider.....	36
	■ Kubix Door.....	38
	■ Kubix Shower Panel.....	40
■ Kubix 90° Panel Options.....	40	

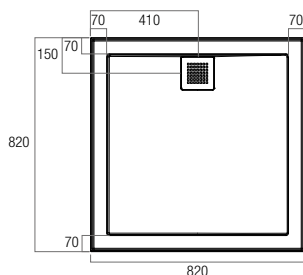
---

<b>Terms of Conditions</b>	■ Returns & Warranty.....	42
----------------------------	---------------------------	----

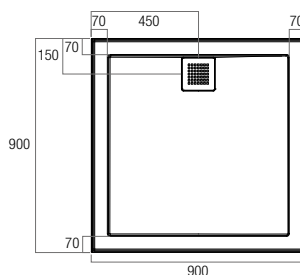


# Stonelite™ ECO

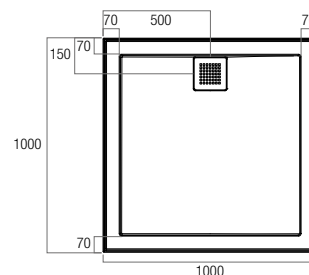
- > Cement based tile adhesive or mortar bed installation
- > Reinforced around waste
- > Low profile 50mm high
- > Stonelite™ Solid Cast Construction
- > Non check-in option 10mm wide tile flange on all four sides
- > Sanitary grade gelcoat surface
- > Square Chrome Grate included
- > Matte Black and White Grates optional
- > Easy installation
- > Design registered
- > Bases can be rotated to allow for alternate waste positions



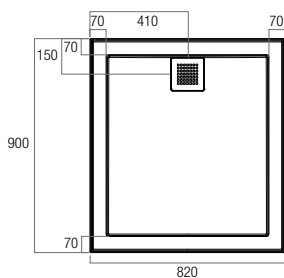
**EC820R**  
820x820 Rear Outlet



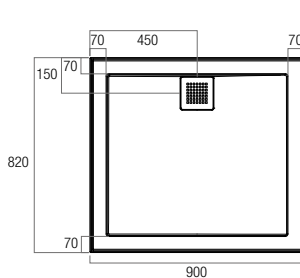
**EC900R**  
900x900 Rear Outlet



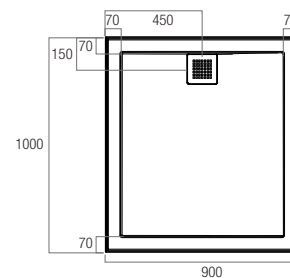
**EC1000R**  
1000x1000 Rear Outlet



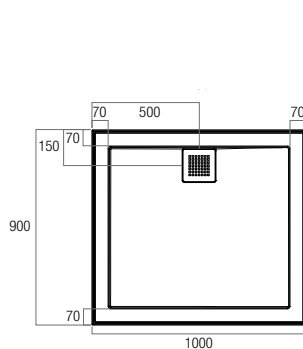
**EC829R**  
820x900 Rear Outlet



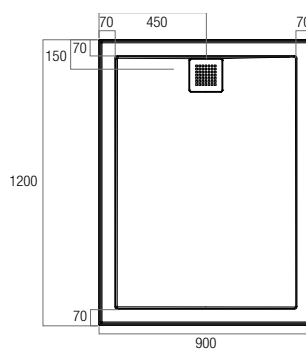
**EC982R**  
900x820 Rear Outlet



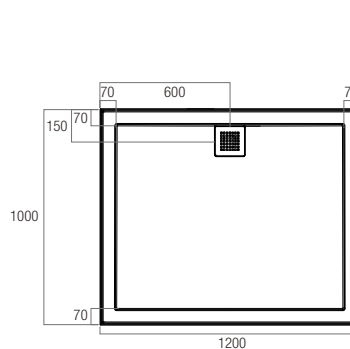
**EC9010R**  
900x1000 Rear Outlet



**EC1090R**  
1000x900 Rear Outlet

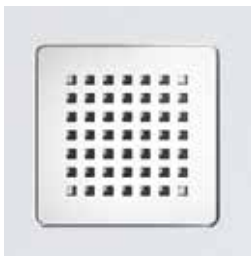


**EC9012R**  
900x1200 Rear Outlet



**EC1210R**  
1200x1000 Rear Outlet

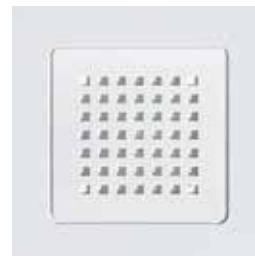




**EBG-CH**  
ECO Chrome Grate

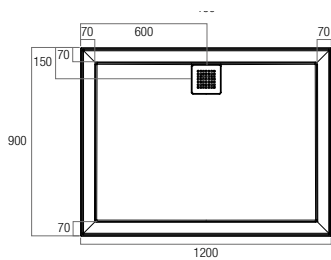


**EBG-MB**  
ECO Matte Black Grate

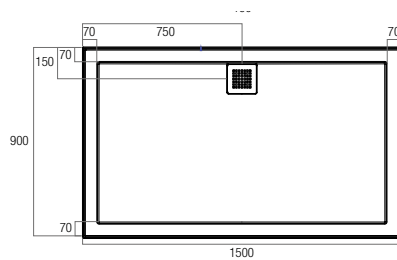


**EBG-WH**  
ECO White Grate

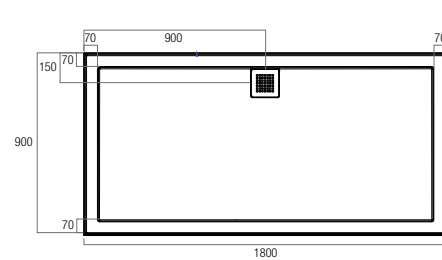
# Stonelite™ ECO



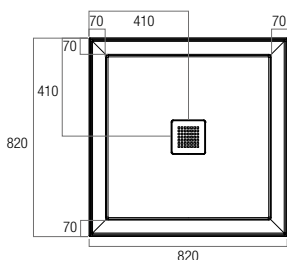
**EC1290R**  
1200x900 Rear Outlet



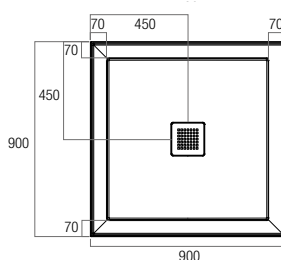
**EC1500R**  
1500x900 Rear Outlet



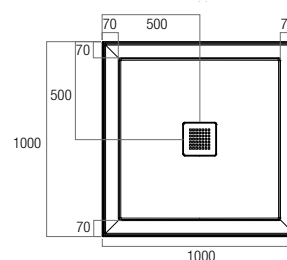
**EC1800R**  
1800x900 Rear Outlet



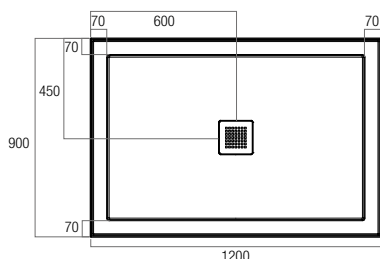
**EC820C**  
820x820 Centre Outlet



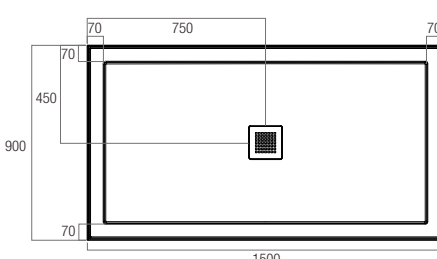
**EC900C**  
900x900 Centre Outlet



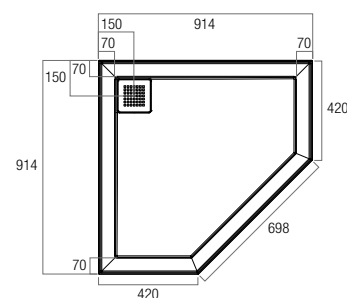
**EC1000C**  
1000x1000 Centre Outlet



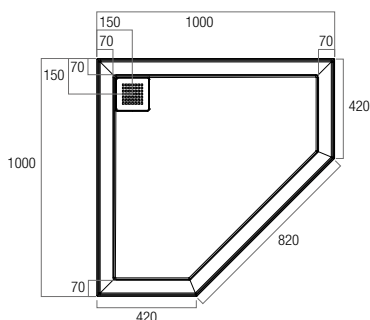
**EC1290C**  
1200x900 Centre Outlet



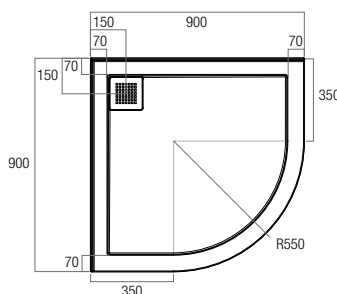
**EC1500C**  
1500x900 Centre Outlet



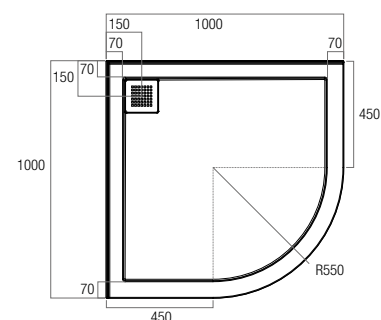
**EC914NR**  
914x914 Neo Corner Rear Outlet



**EC1000NR**  
1000x1000 Neo Corner Rear Outlet



**EC900CR**  
900x900 Curved Corner Rear Outlet



**EC1000CR**  
1000x1000 Curved Corner Rear Outlet

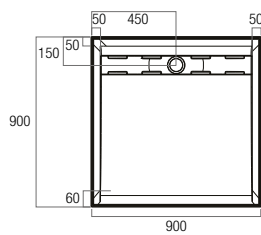




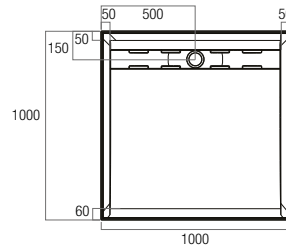
Shower Screen: Louve Neo Angle Pivot  
Shower Base: ECO 1000 Neo Corner

# Stonelite™ Urban MKII

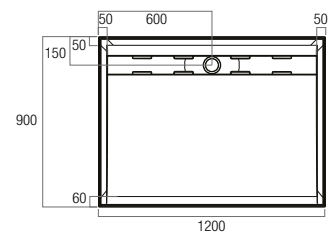
- > Cement based tile adhesive or mortar bed installation
- > Low Profile 40mm high
- > Stonelite™ Solid Cast Construction
- > Non check-in option 10mm wide tile flange on all four sides
- > Sanitary grade gelcoat surface
- > Stainless Steel Channel Grate included



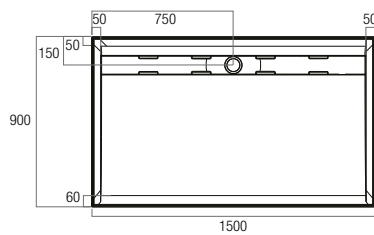
**2UR900R**  
900x900 Rear Outlet



**2UR1000R**  
1000x1000 Rear Outlet



**2UR1290R**  
1200x900 Rear Outlet



**2UR1500R**  
1500x900 Rear Outlet



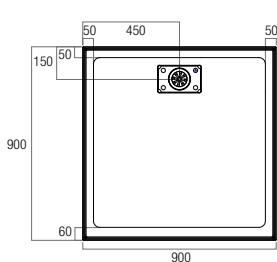
*Stainless Steel Grate detail*



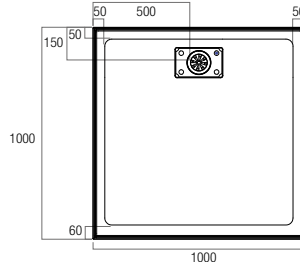


# Stonelite™ Metro

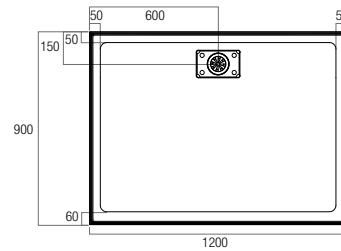
- > Cement based tile adhesive or mortar bed installation
- > Low Profile 40mm high
- > Stonelite™ Solid Cast Construction
- > Non check-in option 10mm wide tile flange on all four sides
- > Sanitary grade gelcoat surface
- > White Stonelite™ Grate included
- > Smooth seamless design
- > Design registered
- > Bases can be rotated to allow for alternate waste positions



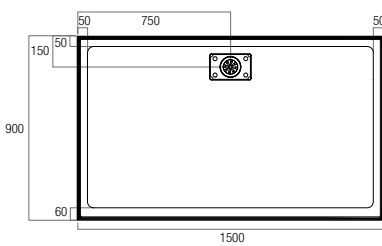
**MT900R**  
900x900 Rear Outlet



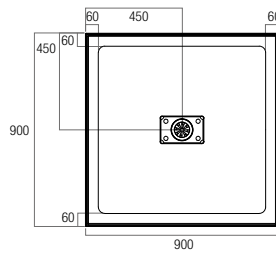
**MT1000R**  
1000x1000 Rear Outlet



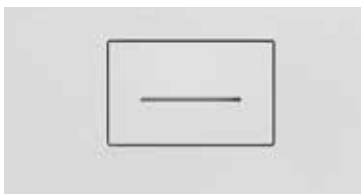
**MT1290R**  
1200x900 Rear Outlet



**MT1500R**  
1500x900 Rear Outlet



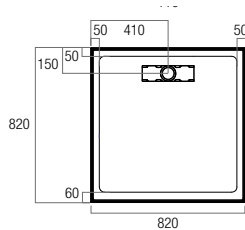
**MT900C**  
900x900 Centre Outlet



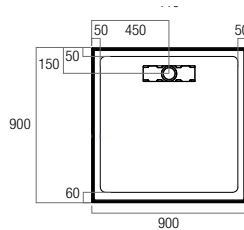
*White Grate detail*

# Stonelite™ Elite

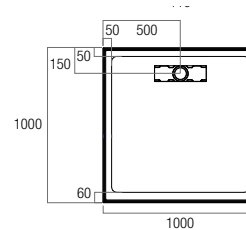
- > Cement based tile adhesive or mortar bed installation
- > Low Profile 40mm high
- > Stonelite™ Solid Cast Construction
- > Non check-in option 10mm wide tile flange on all four sides
- > Sanitary grade gelcoat surface
- > Stainless Steel Grate included
- > Matte Black and White Grates optional
- > Smooth seamless design
- > Design registered
- > Bases can be rotated to allow for alternate waste positions



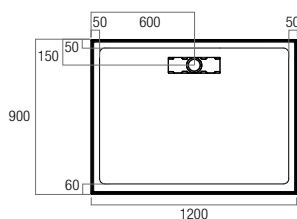
**EL820R**  
820x820 Rear Outlet



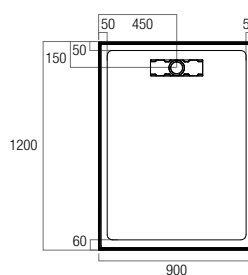
**EL900R**  
900x900 Rear Outlet



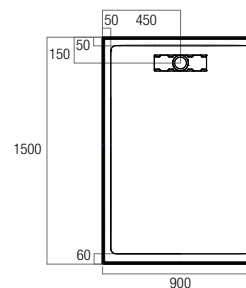
**EL1000R**  
1000x1000 Rear Outlet



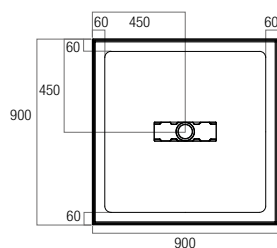
**EL1290R**  
1200x900 Rear Outlet



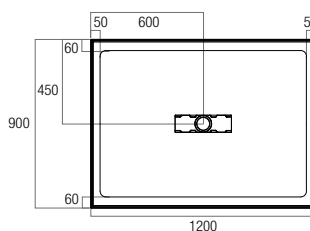
**EL9012R**  
900x1200 Rear Outlet



**EL9015R**  
900x1500 Rear Outlet



**EL900C**  
900x900 Centre Outlet



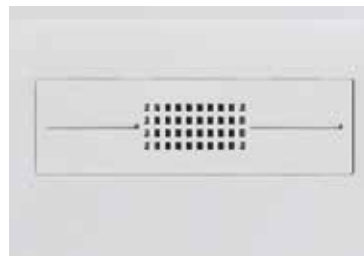
**EL1290C**  
1200x900 Centre Outlet



**ELSG-CH**  
Elite Chrome Grate



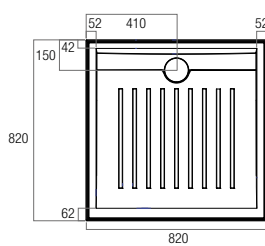
**ELSG-MB**  
Elite Matte Black Grate



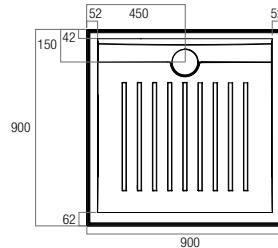
**ELSG-WH**  
Elite White Grate

# Stonelite™ Access (Anti-Slip)

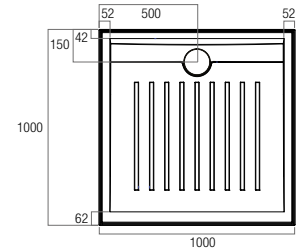
- > Cement based tile adhesive or mortar bed installation
- > Low Profile 40mm high
- > Low step entry
- > Stonelite™ Solid Cast Construction
- > Non check-in option 10mm wide tile flange on all four sides
- > Sanitary grade gelcoat surface
- > Chrome Dome Waste Cover included
- > Black, White Dome Covers optional
- > Anti-skid pattern surface
- > Easy installation
- > Design registered



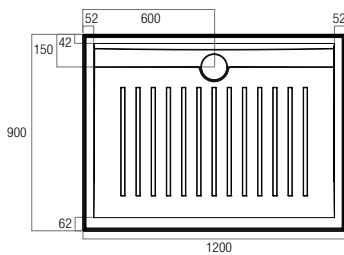
**AS820R**  
820x820 Rear Outlet



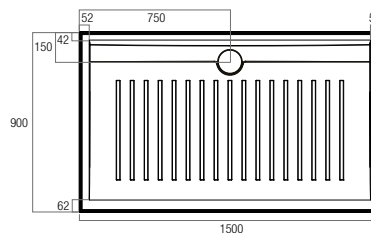
**AS900R**  
900x900 Rear Outlet



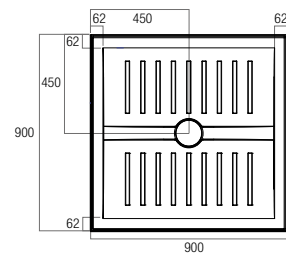
**AS1000R**  
1000x1000 Rear Outlet



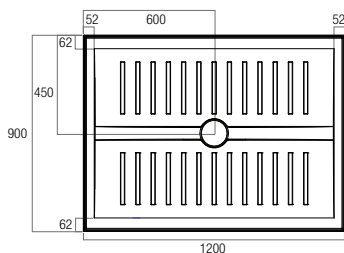
**AS1290R**  
1200x900 Rear Outlet



**AS1500R**  
1500x900 Rear Outlet



**AS900C**  
900x900 Centre Outlet



**AS1290C**  
1200x900 Centre Outlet

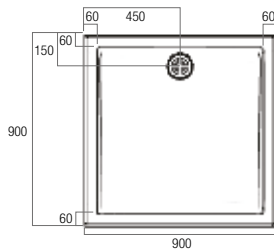


*Chrome Dome Cover Grate detail*

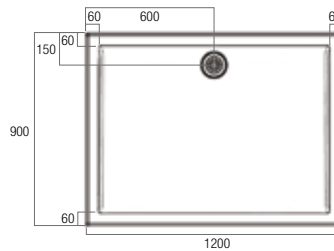


# Stonelite™ Vue

- > Cement based tile adhesive or mortar bed installation
- > Low Profile 50mm high
- > Stonelite™ Solid Cast Construction
- > Non check-in option 10mm wide tile flange on all four sides
- > Sanitary grade gelcoat surface
- > White Dome Waste Cover included
- > Black, Chrome Dome Covers optional
- > Modern design
- > Easy installation
- > Bases can be rotated to allow for alternate waste positions



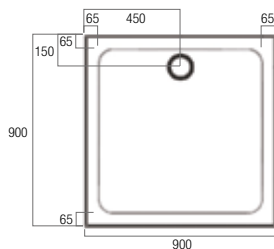
**EB90**  
900x900 Rear Outlet



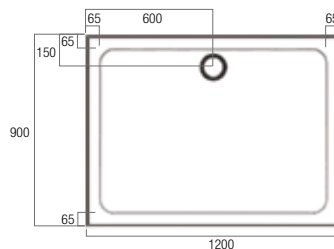
**EB1290**  
1200x900 Rear Outlet

# SMC Louve

- > Cement based tile adhesive mortar bed or silicone installation
- > SMC (Sheet Moulded Compound)
- > Low Profile 45mm high
- > Light weight / Strength
- > Non check-in option 9mm wide tile flange on all four sides
- > Chrome Dome Waste Cover included
- > Modern design
- > Easy installation
- > Design registered
- > Bases can be rotated to allow for alternate waste positions



**SAM900**  
900x900 Rear Outlet



**SAM1290**  
1200x900 Rear Outlet



*White Dome Waste Cover detail*

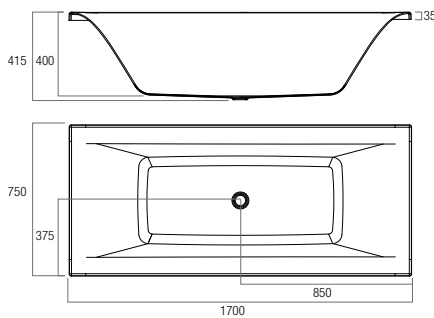
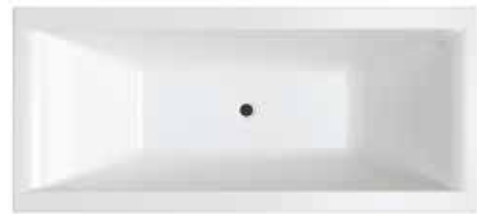


*Chrome Dome Waste Cover detail*

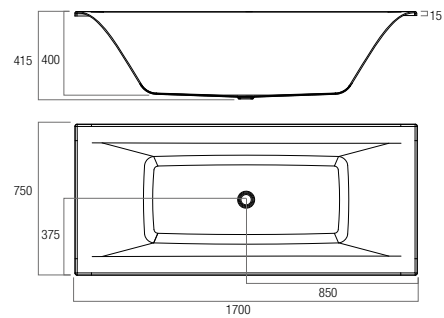
# Elite (Island)

The Elite island baths are large and rectangular in shape and offer ample bathing space. They are designed as double ended baths allowing the user to bathe from either end.

- > Island style bath
- > Rectangular in shape
- > Self supporting (no mortar bed required)
- > Manufactured from sanitary grade acrylic
- > 15mm Low Profile Matte Finish
- > 35mm Standard Profile Gloss Finish
- > 40mm plug and waste not included



**STANDARD PROFILE 35MM GLOSS – IEB1750**  
1700x750x415

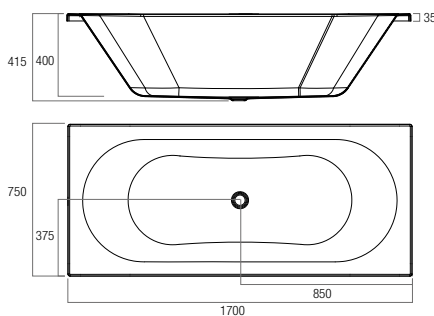


**LOW PROFILE PROFILE 15MM MATTE – IEB1750MS**  
1700x750x415

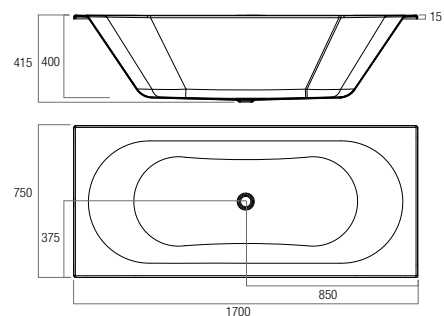
# Metro (Island)

The Metro island bath offers classic internal rounded lines and comfortable bathing space.

- > Island style bath
- > Self supporting (no mortar bed required)
- > Manufactured from sanitary grade acrylic
- > 15mm Low Profile Matte Finish
- > 35mm Standard Profile Gloss Finish
- > 40mm plug and waste not included



**STANDARD PROFILE 35MM GLOSS – IMB1750**  
1700x750x415



**LOW PROFILE 15MM PROFILE MATTE – IMB1750MS**  
1700x750x415



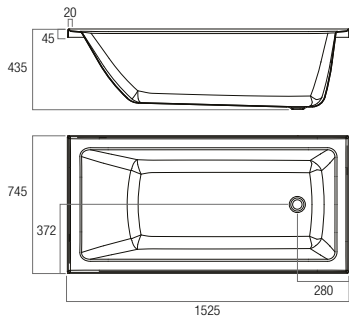
*Elite Gloss Finish Standard Profile Lip – 35mm*



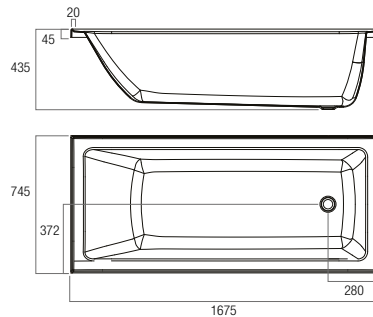
*Metro Matte Finish Low Profile Lip – 15mm*

# Louve (Inset)

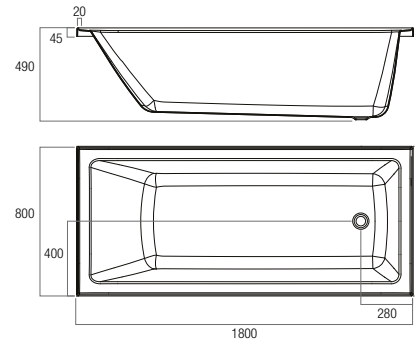
- > 4 sided tile flange
- > Suitable for inbuilt installation
- > Self-supporting (mortar bed not required)
- > Sanitary grade acrylic
- > 40mm plug and waste not included



**RD1525**  
1525x745x435



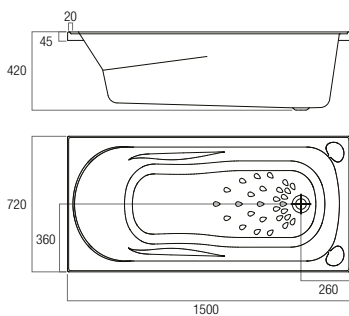
**RD1675**  
1675x745x435



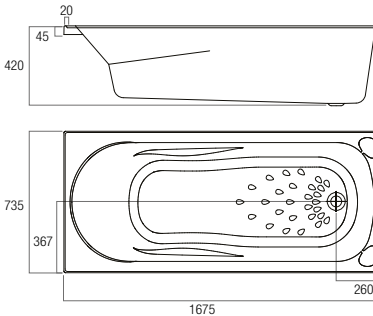
**RD1800**  
1800x800x490

# Civic (Inset)

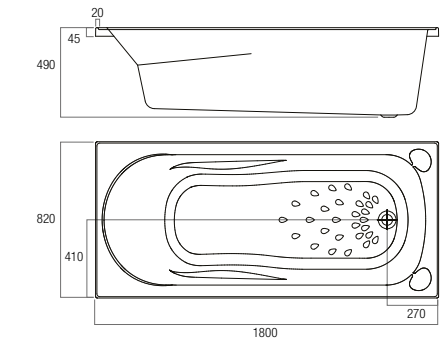
- > 4 sided tile flange
- > Arm rests
- > Soap holders
- > Suitable for inbuilt installation
- > Self-supporting (mortar bed not required)
- > Sanitary grade acrylic
- > Anti-slip pattern surface
- > Suitable for shower over bath
- > 40mm plug and waste not included



**CB1500**  
1500x720x420



**CB1675**  
1675x735x420



**CB1800**  
1800x820x490





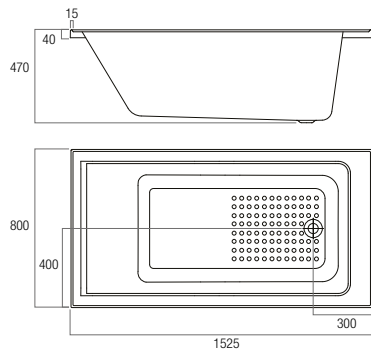
*Louve Gloss Finish Standard Profile Lip 35mm*



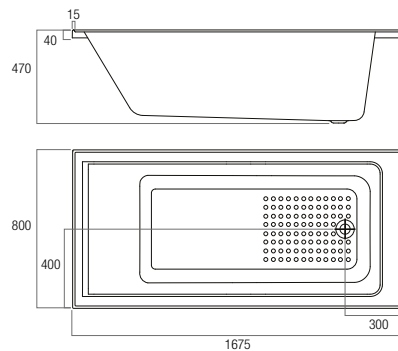
*Civic Gloss Finish*

# Urban (Inset)

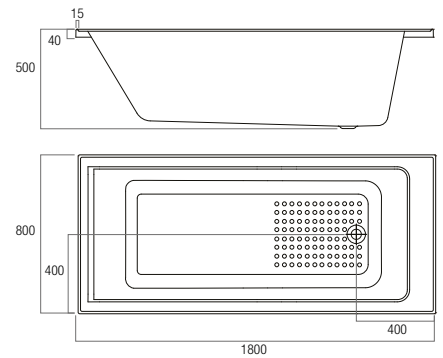
- > 4 sided tile flange
- > Suitable for inbuilt installation
- > Self-supporting (mortar bed not required)
- > Sanitary grade acrylic
- > Anti-slip pattern surface
- > Suitable for shower over bath
- > 40mm plug and waste not included



**UB1500**  
1525x800x470



**UB1675**  
1675x800x470



**UB1800**  
1800x800x500



*Urban Gloss Finish*





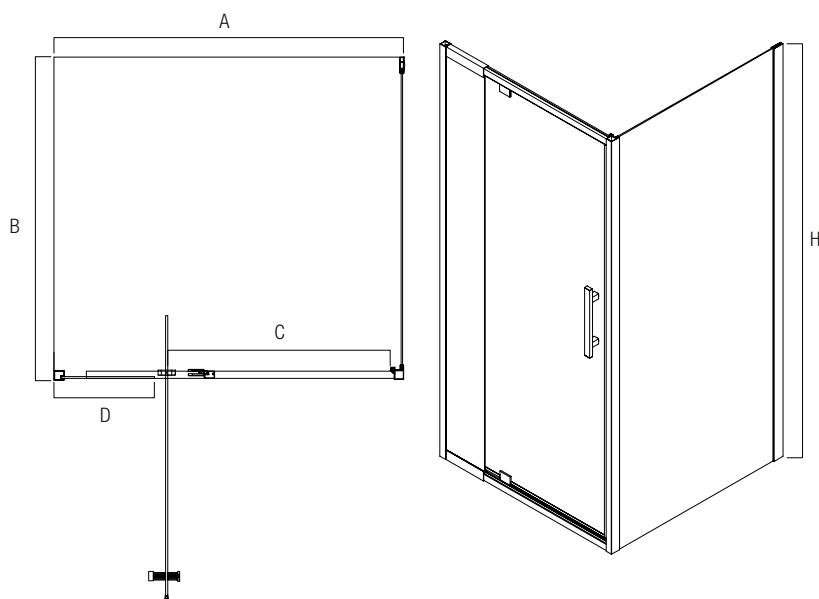
# Louve Square Pivot

- > Magnetic door seals
- > Semi-frameless design
- > 6mm glass
- > Adjustable for out-of-square walls
- > Reversible for right or left hand application
- > Matte Black or Chrome finish
- > Suitable for both Stonelite™ showerbase or tiled floor installation
- > 2 metre high shower screens
- > Front only option available
- > Mix and match sections to suit your requirements
- > Australian Standards AS/NZ2208, AS1288



Code Matte Black	Code Chrome	Style	Size	Range (mm)
<b>LS82FMB</b>	<b>LS82FC</b>	Front	820x2000	750 – 810
<b>LS82RMB</b>	<b>LS82RC</b>	Return	820x2000	770 – 800
<b>LS90FMB</b>	<b>LS90FC</b>	Front	900x2000	835 – 890
<b>LS90RMB</b>	<b>LS90RC</b>	Return	900x2000	850 – 885
<b>LS10FMB</b>	<b>LS10FC</b>	Front	1000x2000	935 – 990
<b>LS10RMB</b>	<b>LS10RC</b>	Return	1000x2000	950 – 985
<b>LS12FMB</b>	<b>LS12FC</b>	Front	1200x2000	1145 – 1195
<b>LS12RMB</b>	<b>LS12RC</b>	Return	1200x2000	1150 – 1185
<b>LS15FMB</b>	<b>LS15FC</b>	Front	1480x2000	1445 – 1495

Size	Width (A)	Depth (B)	Opening (C)	Fixed (D)	Height (H)
820x820	750 – 810	770 – 800	500	171	2000
900x900	835 – 890	850 – 885	530	224	2000
1000x1000	935 – 990	950 – 985	530	324	2000
1200x900	1145 – 1195	850 – 885	530	534	2000
900x1200	835 – 890	1150 – 1185	530	224	2000
1500x900	1445 – 1495	850 – 885	530	804	2000





Shower Screen: 1200x900 Matte Black Louve Front and return  
Shower Base: 900x1200 ECO with black grate

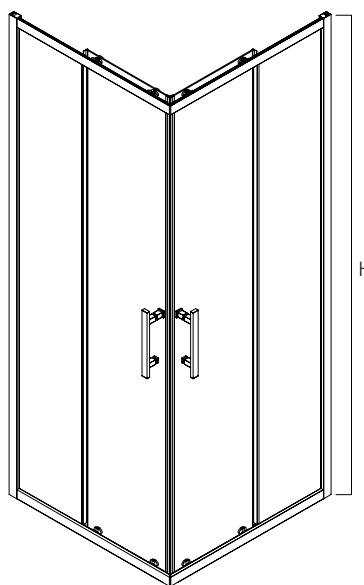
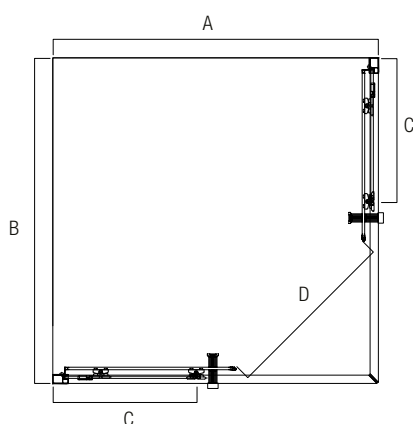


# Louve Square Slider

- > Magnetic door seals
- > Adjustable for out-of-square walls
- > Sliding doors
- > Semi-frameless design
- > 6mm Glass
- > Matte Black or Chrome finish
- > Suitable for both Stonelite™ showerbase or tiled floor installation
- > 2 metre high shower screens
- > Australian Standards AS/NZ2208, AS1288

Code Matte Black	Code Chrome	Style	Size	Range (mm)
<b>LS90FSMB</b>	<b>LS90FSC</b>	Doors	900x2000	855 – 875
<b>LS90RSMB</b>	<b>LS90RSC</b>	Panels	900x2000	855 – 875
<b>LS100FSMB</b>	<b>LS100FSC</b>	Doors	1000x2000	955 – 970
<b>LS100RSMB</b>	<b>LS100RSC</b>	Panels	1000x2000	955 – 970

Size	Width (A)	Depth (B)	Fixed (C)	Opening (D)	Height (H)
900	855 – 875	855 – 875	372	470	2000
1000	955 – 970	955 – 970	432	540	2000





Shower Screen: 900 Louve Square Slider Matte Black  
Shower Base: 900x900 Access

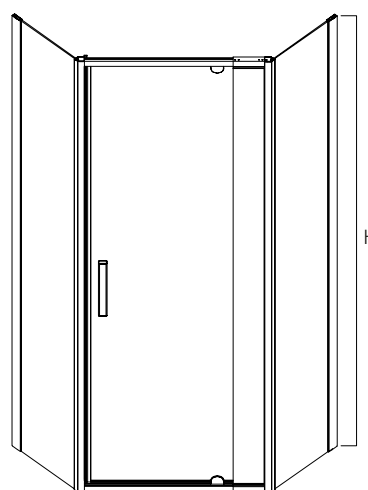
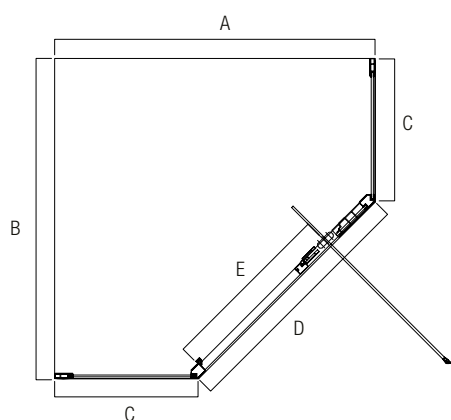
# Louve Neo Angle Pivot

- > Magnetic door seals
- > Semi-frameless design
- > 6mm Glass
- > Adjustable for out-of-square walls
- > Reversible for right or left hand application
- > Chrome finish
- > Suitable for both Stonelite™ showerbase or tiled floor installation
- > 2 metre high shower screens
- > Australian Standards AS/NZ2208, AS1288



Code	Style	Size	Range (mm)
<b>LS90NEOFC</b>	Front	900x2000	835 – 895
<b>LS90NEORC</b>	Return		
<b>LS100NEOFC</b>	Front	1000x2000	935 – 995
<b>LS100NEORC</b>	Return		

Size	Width (A)	Depth (B)	Fixed (C)	Front (D)	Opening (E)	Height (H)
900	835 – 895	835 – 895	375 – 400	650 – 700	445	2000
1000	935 – 995	935 – 995	375 – 400	750 – 810	500	2000





Shower Screen: 900 Louve Neo Angle  
Shower Base: 900 ECO Neo Angle

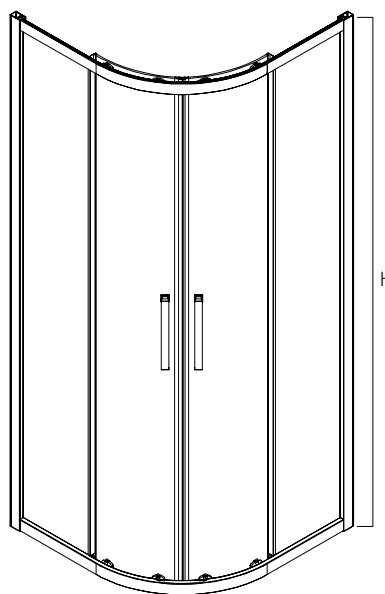
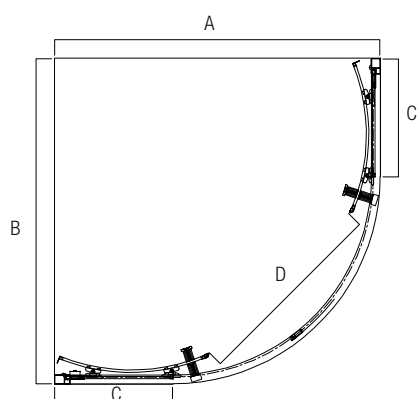
# Louve Curved Slider

- > Magnetic door seals
- > Adjustable for out-of-square walls
- > Sliding doors
- > Semi-frameless design
- > 6mm Glass
- > Chrome finish
- > Suitable for both Stonelite™ showerbase or tiled floor installation
- > 2 metre high shower screens
- > Australian Standards AS/NZ2208, AS1288



Code	Style	Size	Range (mm)
<b>LS900CDC</b>	Front	900x900x2000	855 – 875
<b>LS1000CDC</b>	Front	1000x1000x2000	955 – 970

Size	Width (A)	Depth (B)	Fixed (C)	Opening (D)	Height (H)
900	855 – 875	855 – 875	310	518	2000
1000	955 – 970	955 – 970	410	518	2000







Shower Screen: 900 Louve Curved  
Shower Base: 900 ECO Curved

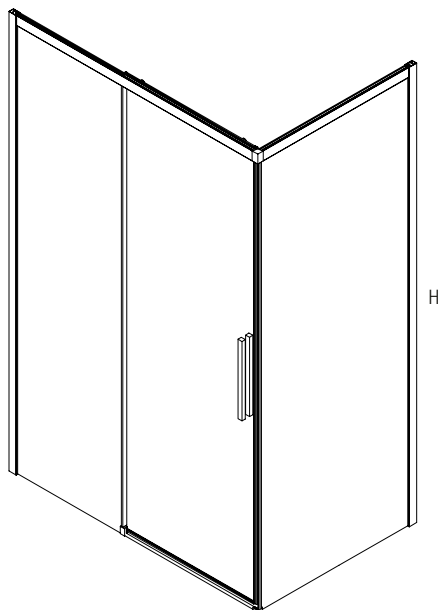
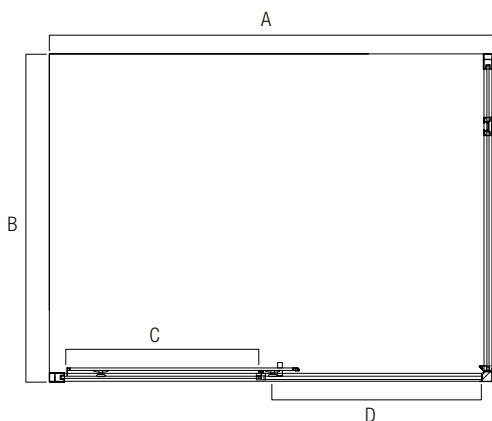
# Urban Slider

- > 2 metre high shower screens
- > Adjustable for out-of-square walls
- > Reversible left or right hand application
- > Matte Black or Chrome finish
- > Mirror door option in Chrome finish only
- > Suitable for Stonelite™ shower base and tile floor installation
- > Adjustable size range
- > Front only option available
- > Australian Standards AS/NZ2208, AS1288

Code Matte Black	Code Chrome	Style	Size	Range (mm)
<b>UR90RSMB</b>	<b>UR90RSC</b>	Return Panel	900x2000	855 – 880
<b>UR12FSMB</b>	<b>UR12FSC</b>	Front	1200x2000	1162 – 1182
	<b>MTSPS115C</b>	Chrome Front Mirror Door	1200x2000	1125 – 1150
<b>USWDMB</b>	<b>USWD</b>	Wall Bracket front only (alcove)	1200x2000	1155 – 1170

\*Note: For front only (alcove) UR12FSC/MTSPS115C + USWD = 1155 – 1170  
Mirror sliding door and clear glass fixed panel

Size	Width (A)	Depth (B)	Fixed (C)	Opening (D)	Height (H)
1200x900	1155 – 1180	855 – 880	550	460	2000



Shower Screen: Metro Slider Return Panel  
Shower Base: 900x1200 Elite



Shower Screen: *Urban Slider Matte Black*  
Shower Base: *900x1200 Elite*

# Urban Bath Panel

- > 1.6 metre high shower screens
- > Adjustable for out-of-square walls
- > Reversible left or right hand application
- > Hinges outward
- > Chrome finish
- > Australian Standards AS/NZ2208, AS1288

Code	Style	Size	Range (mm)
<b>URBS900C</b>	Chrome Hinged Panel	900x1600	900 – 920



# Metro Bath Slider (Mirror Door)

- > 1.6 metre high shower screens
- > 8mm Glass
- > Adjustable for out-of-square walls
- > Reversible left or right hand application
- > Sliding Mirror Door
- > Chrome finish
- > Australian Standards AS/NZ2208, AS1288

Code	Style	Size	Range (mm)
<b>MTBSS1150C</b>	Chrome Front Mirror Door	1200x1600	1175 – 1200

*\*Note: Mirror sliding door and clear glass fixed panel*







Shower Screen: Urban Bath Panel  
Bath: Urban 1675



Shower Screen: Metro Bath Slider  
Bath: Urban 1675

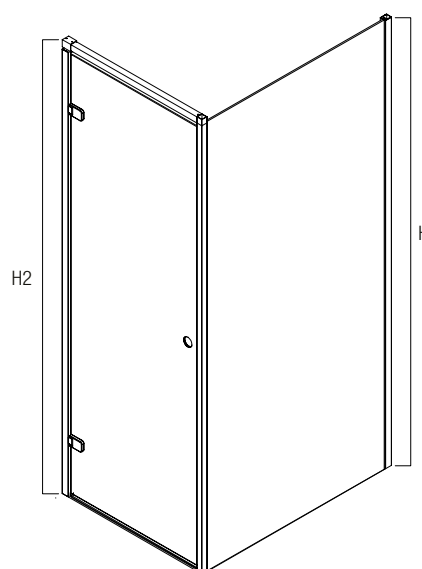
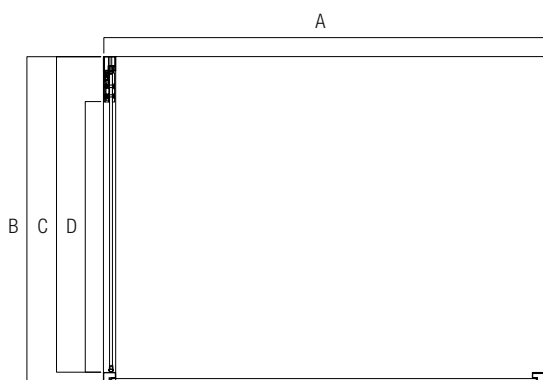
# Kubix Door

- > 2 metre high shower screens, eliminates splashing
- > 8mm Glass
- > Adjustable for out-of-square walls
- > Door options: 900 ; 1000
- > Reversible left or right hand application
- > Black, white or chrome options
- > Suitable for Stonelite™ shower base and tile floor installation
- > Adjustable size range
- > Mix and match sections to suit your size requirements
- > Australian Standards AS/NZ2208, AS1288



Code	Style	Size	Range (mm)
<b>KUD90C</b>	900 Chrome	900x2000	823 – 843
<b>KUD90MB</b>	900 Matt Black	900x2000	823 – 843
<b>KUD90MW</b>	900 Matt White	900x2000	823 – 843
<b>KUD100C</b>	1000 Chrome	1000x2000	923 – 943
<b>KUD100MB</b>	1000 Matt Black	1000x2000	923 – 943
<b>KUD100MW</b>	1000 Matt White	1000x2000	923 – 943

Size	Width (A)	Depth (B)	Door (C)	Opening (D)	Height (H)	Height 2 (H2)
900x900	855 – 880	855 – 880	823 – 843	772	2000	2035
900x1000	955 – 980	855 – 880	823 – 843	772	2000	2035
900x1200	1155 – 1180	855 – 880	823 – 843	772	2000	2035
900x1500	1455 – 1480	855 – 880	823 – 843	772	2000	2035
1000x900	855 – 880	955 – 980	923 – 943	872	2000	2035
1000x1000	955 – 980	955 – 980	923 – 943	872	2000	2035
1000x1200	1155 – 1180	955 – 980	923 – 943	872	2000	2035
1000x1500	1455 – 1480	955 – 980	923 – 943	872	2000	2035







Shower Screen: Kubix 900 matt white door with Kubix 1200 matt white shower panel  
Shower Base: 1200x900 Urban MKII

# Kubix Shower Panel

- > 2 metre high shower screens
- > 8mm Glass
- > Adjustable for out-of-square walls
- > Reversible left or right hand application
- > Black, white or chrome options
- > Suitable for Stonelite™ shower base and tile floor installation
- > Adjustable size range
- > Mix and match sections to suit your size requirements
- > Australian Standards AS/NZ2208, AS1288



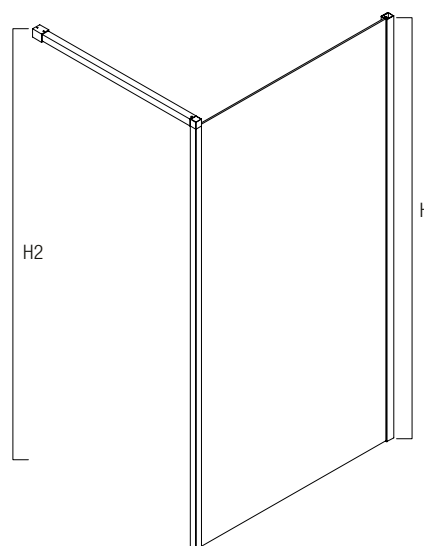
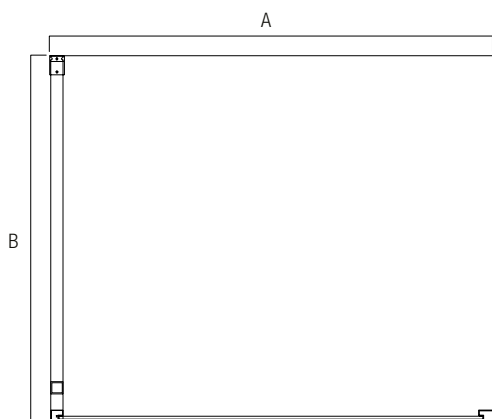
Code	Style	Size	Range (mm)
<b>KUSP90C</b>	900 Chrome	900x2000	855 – 880
<b>KUSP90MB</b>	900 Matt Black	900x2000	855 – 880
<b>KUSP90MW</b>	900 Matt White	900x2000	855 – 880
<b>KUSP100C</b>	1000 Chrome	1000x2000	955 – 980
<b>KUSP100MB</b>	1000 Matt Black	1000x2000	955 – 980
<b>KUSP100MW</b>	1000 Matt White	1000x2000	955 – 980
<b>KUSP120C</b>	1200 Chrome	1200x2000	1155 – 1180
<b>KUSP120MB</b>	1200 Matt Black	1200x2000	1155 – 1180
<b>KUSP120MW</b>	1200 Matt White	1200x2000	1155 – 1180
<b>KUSP150C</b>	1500 Chrome	1500x2000	1455 – 1480
<b>KUSP150MB</b>	1500 Matt Black	1500x2000	1455 – 1480
<b>KUSP150MW</b>	1500 Matt White	1500x2000	1455 – 1480

Note: Support arms can be cut to suit requirements

Range 855mm – 880mm included with 900, 1200, 1500 shower panels

Range 955mm – 980mm included with 1000 shower panel

Size	Width (A)	Depth (B)	Height (H)	Height 2 (H2)
900x900	855 – 880	855 – 880	2000	2032
1000x1000	955 – 980	955 – 980	2000	2032
1200x900	1155 – 1180	855 – 880	2000	2032
1500x900	1455 – 1480	855 – 880	2000	2032





Shower Screen: Kubix 1200 matt black shower panel  
Shower Base: 900x1200 Elite

# Kubix Shower Panel Options

The Kubix 90° Joiner allows standard size Kubix shower panels to be added to enable various widths and depths. The following table shows examples of combinations that can be created by incorporating the Kubix 90° Joiner.

Code	Style
<b>KUEXTC</b>	90° Joiner Chrome
<b>KUEXTMB</b>	90° Joiner Matt Black
<b>KUEXTMW</b>	90° Joiner Matt White

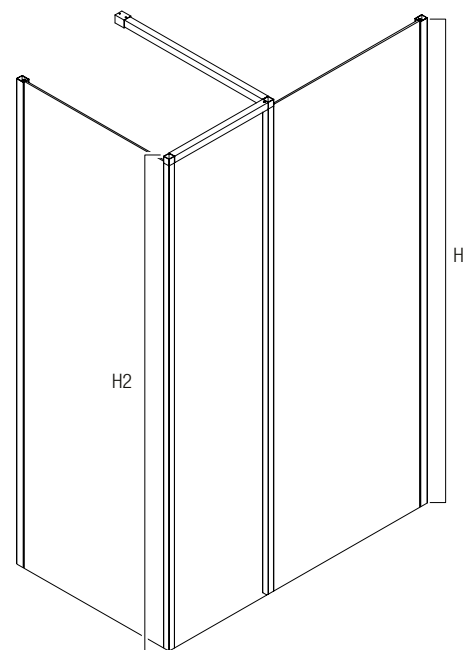
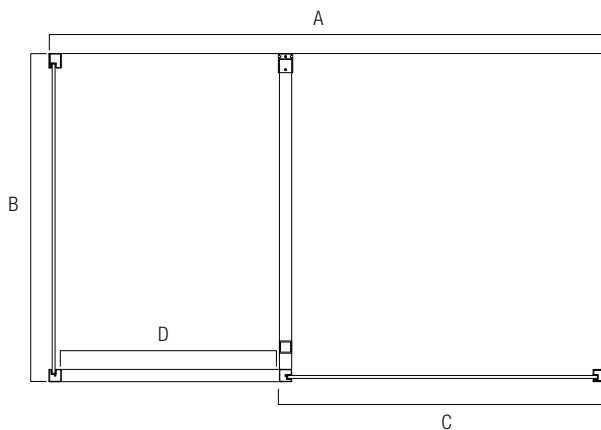
*Kubix 90° Joiner allows Kubix shower panels to be joined together to create multiple walk-in shower options. Suits 900, 1000, 1200, 1500mm fixed panel configurations*

*Note: Kubix 90° Joiner (right) is an illustration sample only of KUEXTC model*



Size	Width (A)	Depth (B)	Depth Code	Fixed (C)	Fixed Code	Opening (D)	Height H	Height 2 H2
1500 X 900	1455 - 1480	855 - 880	KUSP90C	855-880	KUSP90C	568	2000	2032
1500 X 1000	1455 - 1480	955 - 980	KUSP100C	955 - 980	KUSP100C	468	2000	2032
1800 X 900	1755 - 1780	855 - 880	KUSP90C	1155 - 1180	KUSP120C	568	2000	2032
1800 X 1000	1755 - 1780	955 - 980	KUSP100C	1155 - 1180	KUSP120C	568	2000	2032
1800 X 900	1755 - 1780	855 - 880	KUSP90C	955 - 980	KUSP100C	768	2000	2032
1800 X 1000	1755 - 1780	955 - 980	KUSP100C	955 - 980	KUSP100C	768	2000	2032

*Note: Table above is shown using Chrome finish panels (ie Depth Code, Fixed Code), if black or white is required, use appropriate codes as nominated on page 24*





Shower Screen: Kubix 900 chrome shower panels x 2  
Shower Base: 900x1500 Elite

# TERMS & CONDITIONS

## Dimensions

All dimensions are stated in millimetres (mm) and are nominal sizes. Variations may occur due to the manufacturing process. Care should be taken to check sizing prior to installation.

## Returns

The customer will be deemed to have accepted the goods as being in accordance with the order unless Oceano Bathroom Pty Ltd is notified of it's claim within seven (7) days of receipt of the goods. All returns must be authorised by an Oceano Bathroom Pty Ltd official representative prior to the goods being returned.

For any credit claim to be considered (and processed), Oceano Bathroom Pty Ltd must be provided with the following:

- Oceano Bathroom Pty Ltd invoice number and delivery docket number
- Clear description of the goods
- Reason for return
- Amount being claimed
- Oceano Bathroom Pty Ltd standard restocking fee is 15%. Returns without notification will not be accepted

## Warranty

Oceano Bathroom Pty Ltd will at its election, pursuant to its obligations under the Competition and Consumer Act 2010, repair or replace the defective product or part, and make appropriate adjustment.

The warranty shall expire after the set period from the date of original purchase, where a product is covered by this warranty.

This warranty is subject to the conditions and exclusions as listed below. Oceano Bathroom Pty Ltd warrants that products manufactured and distributed by Oceano Bathroom Pty Ltd will be free of inherent defects and materials and workmanship for the warranty period applicable to the product.

This warranty only applies within Australia and does not include removal or installation costs.



**7 YEARS**

Stonelite™  
Polymarble  
Shower Bases



**7 YEARS**

SMC Shower  
Bases



**7 YEARS**

Free Standing  
Baths



**5 YEARS**

Acrylic Baths



**1 YEAR**

Shower Screens





Shower Screen: 900x900 Chrome Louve  
Front and Return  
Shower Base: 900 x 900 Eco

SHOWER BASES

BATHS

SHOWER SCREENS



SCAN ME

**Oceano Bathrooms**

19A Kitchen Road  
Dandenong South VIC 3175

Tel (03) 9791 7782

Email [sales@oceano.com.au](mailto:sales@oceano.com.au)

[oceano.com.au](http://oceano.com.au)

**oceano**  
BATHROOM